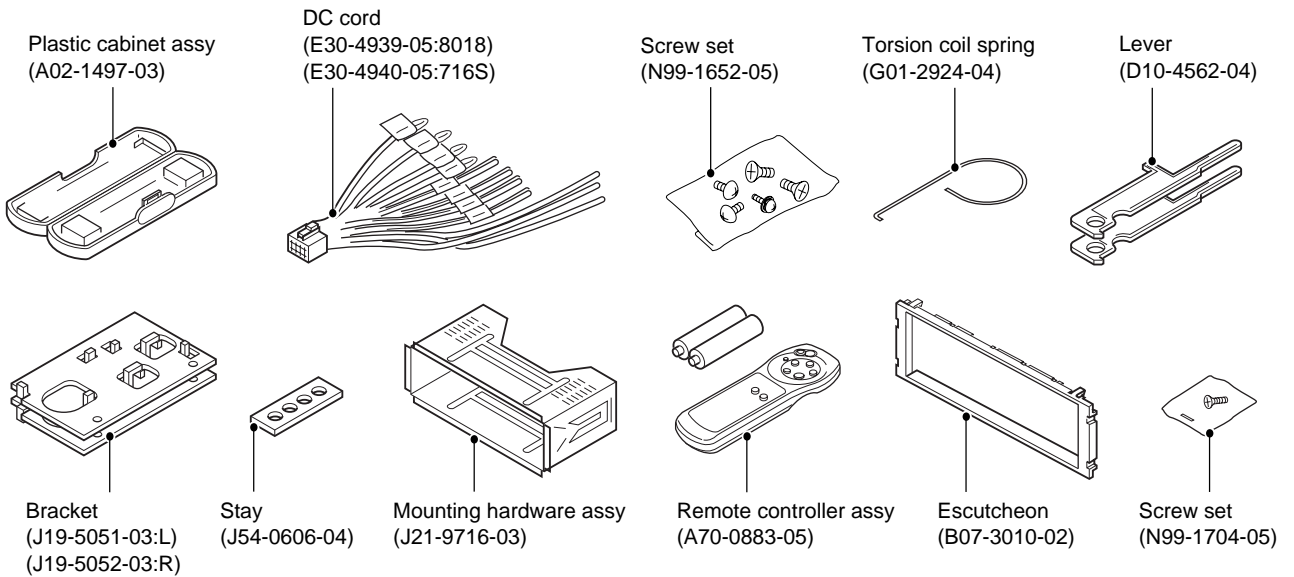
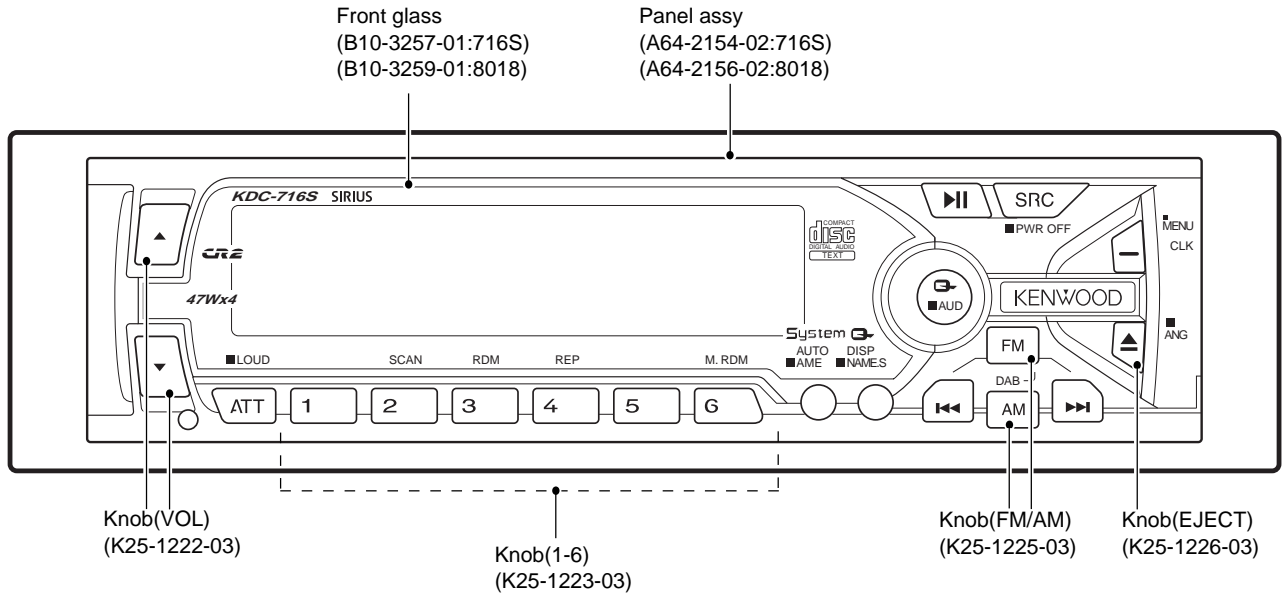
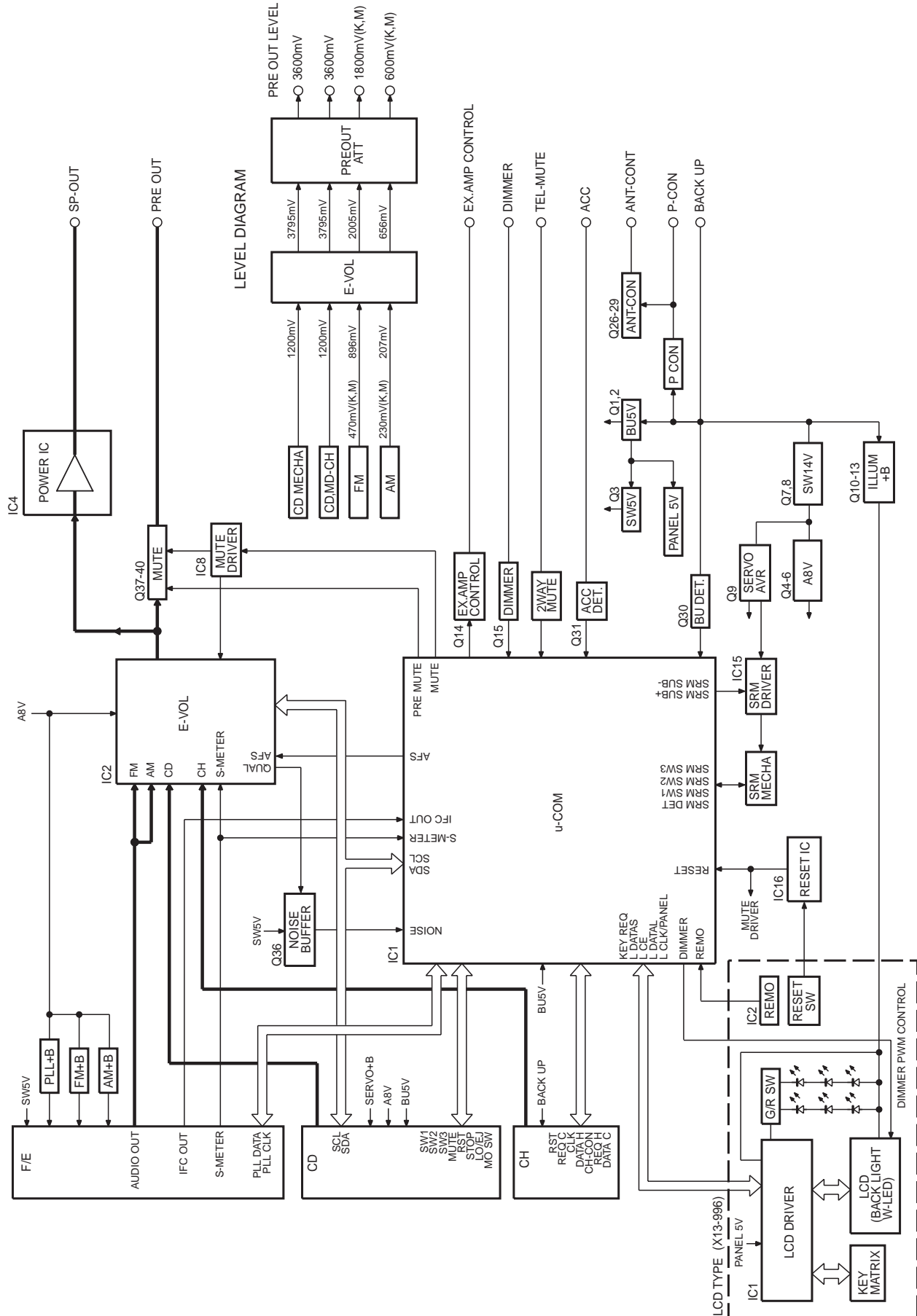


● KDC-716S



KDC-716S/8018

BLOCK DIAGRAM



KDC-716S/8018

MICROCOMPUTER'S TERMINAL DESCRIPTION

System μ -com: UPD703033GC053

●Terminal description

Pin	Function	I/O	Description	Processing Operation
1	AM+B	O	AM power terminal	H: During AM radio operation
2	FM+B	O	FM power terminal	H: During FM radio operation H: During FM radio operation if with RDS, RBDS
3	AFS	O	Switching terminal for noise detection	L: During AF search, FM seek H: During receive
4	PLL-DATA	I/O	Data I/O terminal to F/E	
5	PLL-CLK	I/O	CLK terminal to F/E	
6	Evdd	-	Positive power terminal	
7	Evss	-	GND terminal	
8	N.C	O	Open (not used)	
9	BEEP	O	BEEP output terminal	
10	N.C	O	Open (not used)	
11	PRE-MUTE L	O		L (during CD): when M MUTE L is L (low) L during momentary power down Fixed at H only during 2 zone
12	PRE-MUTE R	O		L (during CD): when M MUTE R is L (low) L during momentary power down Fixed at H only during 2 zone
13	IC2-SDA	I/O	IC2, IC5, CD mechanism, DATA line	
14	IC2-SCL	O	IC2, IC5, CD mechanism, CLK line	
15	N.C	O	Open (not used)	
16	N.C	O	Open (not used)	
17	N.C	O	Open (not used)	
18	TEST	-	Test terminal	
19	P-MUTE	O	Power IC MUTE terminal	L: During Power-OFF L: During All-OFF L: During Tell-mute
20	P-STBY	O	Power IC STBY terminal	Power IC ON: H. Power IC OFF: L. During All-OFF: H
21	MUTE	O	MUTE terminal	ON: Open OFF: L
22	N.C	O	Open (not used)	
23	N.C	O	Open (not used)	
24	ACC-DET	I	ACC detection terminal	L: ACC H: No ACC
25	DIMMER	I	Small detection terminal	ON: L OFF: H
26	SW5V	O	5 volt power terminal	ON: L OFF: H
27	EXT-AMP-CO	O	External AMP control terminal (200ms)	L 40ms: Bus boost OFF L 70ms: Bus boost LOW L 100ms: Bus boost HI
28	P-CON	O	Power control terminal	Power ON: H Power OFF: L
29	ANT-CON	O	Antenna control terminal	TUNER, TI ON: H Open if no ANT-CON
30	P-ON	O	SW14V control terminal	Power ON: H Power OFF: L
31	RESET	I	Reset IN terminal	H: Normally H: During reset
32	XT1	I	Subclock terminal	Time count Operation during Power-OFF
33	XT2	-	Subclock terminal	
34	REGC	-	Capacitor output terminal for regulator inside microprocessor	
35	X2	-	Main clock terminal	Oscillates: During Power-ON Oscillates stop: During Power-OFF, during momentary power down
36	X1	I	Main clock terminal	
37	Vss	-	GND terminal	
38	Vdd	-	+B terminal	
39	CLKOUT	O	Internal system clock output	
40	N.C	O	Open (not used)	
41	N.C	O	Open (not used)	
42	TYPE0	I	Destination selector port	
43	TYPE1	I	Destination selector port	
44	TYPE2	I	Destination selector port	
45	N.C	O	Open (not used)	
46	IC2TYPE0	I	IC2 destination terminal	L: During default

KDC-716S/8018

MICROCOMPUTER'S TERMINAL DESCRIPTION

Pin	Function	I/O	Description	Processing Operation
47	IC2TYPE1	I	IC2 destination terminal	L: During default
48	CH-REQH	O	Request output to changer	
49	CH-RST	O	Reset output to changer	Normally L, after system RST reset is "H" for 400ms and then "L"
50	CH-MUTE	I	Mute request from changer	ON: H OFF: L
51	CH-CON	O	Changer control output	ON: H OFF: L
52	ILL-ON	O	FL, illumination output	ON: H OFF: L
53	M-MUTE L	I	Mute request from CD mechanism	ON: L
54	M-MUTE R	I	Mute request from CD mechanism	ON: L
55	BVdd	-	+B terminal	
56	BVss	-	GND terminal	
57	M-RST	O	Reset output to CD mechanism	Normally H, L: During reset Per mechanical control specs.
58	M-STOP	O	Stop request to CD mechanism	Stop: L H: During CD
59	N.C	O	Open (not used)	
60	LO/EJ	I/O	CD mechanism, LODING, EJECT selector	Stop, Brake: Hi-z, LOADING: L, EJECT: H
61	MOSW	O	CD mechanism, MOTOR, SW	LOADING, EJECT, Brake: H
62	N.C	O	Open (not used)	
63	CD-SW3	I	CD down SW detection terminal	Chucking: H
64	PAN-RESET	O	Reset output to panel microprocessor	Normally H, L: During reset, momentary power down
65	MC-REQ/PAN	I/O	REQ terminal/panel detection for panel microprocessor	L: During panel use
66	N.C	O	Open (not used)	
67	N.C	O	Open (not used)	
68	N.C	O	Open (not used)	
69	N.C	O	Open (not used)	
70	AVCONT	O	AD reference voltage control output	Same timing as P ON H: During operation
71	Avdd	-	+B terminal	
72	Avss	-	GND terminal	
73	Avref	I	Reference voltage supply terminal for A/D converter	
74	PHONE	I	PHONE detection terminal	Tel mute: Min 1 volt, Navi mute: Max.2.5 volt
75	SRM-SW3	I	Mask mechanism position detection input	See 01mask mechanical position detection chart
76	SRM-SW1	I	Mask mechanism position detection input	See 01mask mechanical position detection chart
77	SRM-SW2	I	Mask mechanism position detection input	See 01mask mechanical position detection chart
78	SRM-DET	I	Mask mechanism detection input	L: Mechanism H: No mechanism
79	NOISE	I	FM noise detection terminal	
80	S-METER	I	S meter detection terminal	
81	R-DATA	I	RDS DECODER DATA input terminal	Connect to GND: On models without RDS, RBDS
82	R-QUAL	I	RDS DECODER QUAL input terminal	Connect to GND: On models without RDS, RBDS
83	IFC-OUT	I	F/E IFC OUT input terminal	L: When station present
84	N.C	I	Open (not used)	Connect to GND
85	N.C	I	Open (not used)	Connect to GND
86	SRM-B	O	SRM mechanical submotor output terminal	
87	R-CLK	I	RDS DECODER CLK input terminal	Connect to GND: On models without RDS, RBDS
88	CH-REQC	I	Input request from changer	ON: L
89	SC-REQ	I	Communication request from panel microprocessor	
90	CD-SW1	I	LOADING SW detection terminal	LOADING start: L
91	CD-SW2	I	12cm disk detection switch terminal	12cm DISC: L
92	SRM+B	O	SRM mechanical submotor output terminal	
93	BU-DET	I	Momentary power down detection terminal	L: B.U H: No B.U (momentary power down)
94	CH-DATAC	I	Data input terminal from changer	
95	CH-DATAH	O	Data input terminal to changer	
96	CH-CLK	I/O	CLK I/O terminal used with changer	
97	SC-DATA	I	Data line from panel microprocessor	
98	MC-DATA	I/O	Data line to panel microprocessor	
99	MC-CLK	O	CLK terminal to panel microprocessor	
100	PAN5V	O	Panel 5 volt control terminal	L: Panel H: No panel

ADJUSTMENT

Test Mode

1. How to enter test mode

While holding the FM key and the Preset 6 key, reset the unit.

2. How to exit from test mode.

While holding down the Preset 6 key, reset the unit.

Note: Does not exit from test mode ACC-OFF, Power-OFF or Momentary power down

3. Test mode reset status

- Sources are all OFF
- All display segment lit up
- Volume at -10dB (shows 30 on display)
- LOUD is OFF.
- CRSC is OFF regardless of whether switching function is provided.
- SYSTEM Q is in FLAT
- Blank skip is OFF. (C/R model)
- LEDs are white, no scanning. (VLCD model)

4. Special displays in Tuner

When the following displays appear in tuner mode it shows a problem with the front end.

- "TNE2P NG" F/E is not aligned and EEPROM is in reset (no settings) such as when shipped.
- "TNCON NG" Cannot communicate with F/E (front end).

5. K3I switching

Each time the Preset 6 key is pressed in Tuner mode, switches one at a time through the following sequence: AUTO → Forced Wide → Forced Middle → Forced Narrow → AUTO. When reset, displays the following in AUTO.

- AUTO FMA
- Forced Wide FMW
- Forced Middle ... FMM
- Forced Narrow .. FMN

6. CD receiver test mode specifications

- No automatic ejection during reset-start. Does not make a CD check in reset with a CD loaded.
- Using the Track up key jumps to the following tracks. No.9→No.15→No.10→No.11→No.12→No.13→No.14→and back to No. 9
- Using the Track down key moves 1 track downwards from the track being played.

7. Audio items

- Momentarily pressing the Q key calls up audio adjustment mode.
- Pressing the * key on the remote control calls up audio alignment mode.
- Continuous forward is disabled on the remote control.
- Bass/Middle/Treble are settable in 3 steps of MIN/CENTER/MAX with the Track up/down keys.

- Balance is settable in 3 steps of Left MAX/CENTER/Right MAX with the Track up/down keys.
- Fader is settable in 3 steps of Rear MAX/CENTER/Front MAX with the Track up/down keys.
- HPF is settable in 2 steps of THRU/220Hz with the Track up/down keys.
- LPF is settable in 2 steps of THRU/120Hz with the Track up/down keys.
- Bass f/Bass Q/Bass EXT/Middle f/Middle Q/Treble f do not appear in the audio alignment.

8. Menu items

- Momentarily pressing the CLK key calls up the Menu mode.
- The DNPP/SBF keys on the remote control calls up Menu mode.
- Continuous forward is disabled on the remote control.
- Calendar adjust, calendar display switching and calendar memo are eliminated from forward (FL model)
- In color alignment mode, Preset 1 is red, 2 is blue, 3 is green and 4 is white. (VLCD model).
- Contrast is set in 3 steps of 0, 5, 10 and the reset value is 5. (VLCD/LCD models)
- Brightness adjustment is set in 3 steps of 0, 5, 10 and the reset value is 10. (Normal FL model)

9. Backup current measurement

The MUTE terminal turns off 2 seconds (not 15 seconds) after being reset in ACC off (backup on). (The panel, CD and tape mechanisms are disabled during this time.)

10. Special displays during All-Off with all lamps on

The following displays appear when the preset keys are pressed with all display segment lit up.

PRESET1	Version display (8 digits; Mo. Dy. Hr. Mn.) (Display) SYS XXXXXXXX system microprocessor PAN XXXXXXXX panel microprocessor
PRESET2	Serial No. display (8 digits) Note: CD/RK type eXcelon model (Display) SNo XXXXXXXX
PRESET3	Press once: Power-on time display (Does not count during All-Off) Press long: Clears the time display during power-on. (Display) PonTim XXXXX (C/R) MAX 65535(time)
PRESET4	Press once: TAPE/CD/MD operating time display. Press long: Clears TAPE/CD/MD operating time. (Display) CDTim XXXXX (CD/R) TapTim XXXXX (C/R) MAX 65535(time)
PRESET5	Press once: TAPE/CD/MD eject count display. Press long: Clears TAPE/CD/MD eject count display. (Display) EjeTim XXXXX MAX 65535(count)
PRESET6	Press once: PANEL open/shut count display. Press long: Clears PANEL open/shut count display. (Display) PnCt XXXXX MAX 65535(count)

KDC-716S/8018

ADJUSTMENT

11. Others

- Automatic panel close is disabled when tape or CD is inserted. (M&T model)
- Panel operation is disabled at Power-ON or Power-OFF. (M&T model)
- Panel open and closes with the ATT key. (M&T model)
- No displays such as "CODE OFF" during Power-ON.
- Pressing the TI (AUTO) key during changer operation turns on 2zone. Cancel by pressing the TI (AUTO) key again. The P/S dot is lit during 2zone.
- Pressing the CLK key for 1 second or more during All OFF, calls up the Mask Key (security) write mode.

Press the remote controller 2 key once, and press the Track Up key. (Enters an "A")

Press the remote controller 7 key twice, and press the Track Up key. (Enters an "R")

3. Security function is canceled and unit sets to All-Off mode.
4. Code request mode appears if a mistake was made in entering the numbers.

Security items

• Forced power-ON mode (all models)

Even when writing is permitted by the security function (mask key), Power-on can be set for a 30 minute period each time the reset key is pressed while holding down the ATT key and Preset 4 keys. After 30 minutes elapses, can only be restored by using reset.

• How to register the security code for EEPROM (F/E) replacement (coded security models)

1. While holding the FM key and the preset 6 key, reset the unit.
 2. Call up security register mode by pressing the CLK key.
 3. Enter the code with the Preset 1/2/3/4 keys.
For example, to enter the number, "3510"....
 - Press the Preset 1 key 4 times.
 - Press the Preset 2 key 6 times.
 - Press the Preset 3 key 2 times.
 - Press the Preset 4 key 1 time.
 4. Hold down the DISP key for at least 3 seconds and the message, "RE-ENTER" appears, so once again enter the code according to Step 3 above.
 5. Hold down the DISP key for at least 3 seconds, and the message, "APPROVED" appears.
 6. Cancel test mode. (See, 2. How to cancel the test mode.)
- Note: All clear cannot be performed on the security code for this model.

• Simple way to clear the security code (K type only)

1. During code request mode, press the VOL UP key for at least 3 seconds while holding down the DISP key.
(---- will disappear)
2. Enter, "KCAR" with the remote controller as described below. (Same as on 00 model.)
Press the remote controller 5 key twice, and press the Track Up key. (Enters a "K")
Press the remote controller 2 key three times, and press the Track Up key. (Enters a "C")

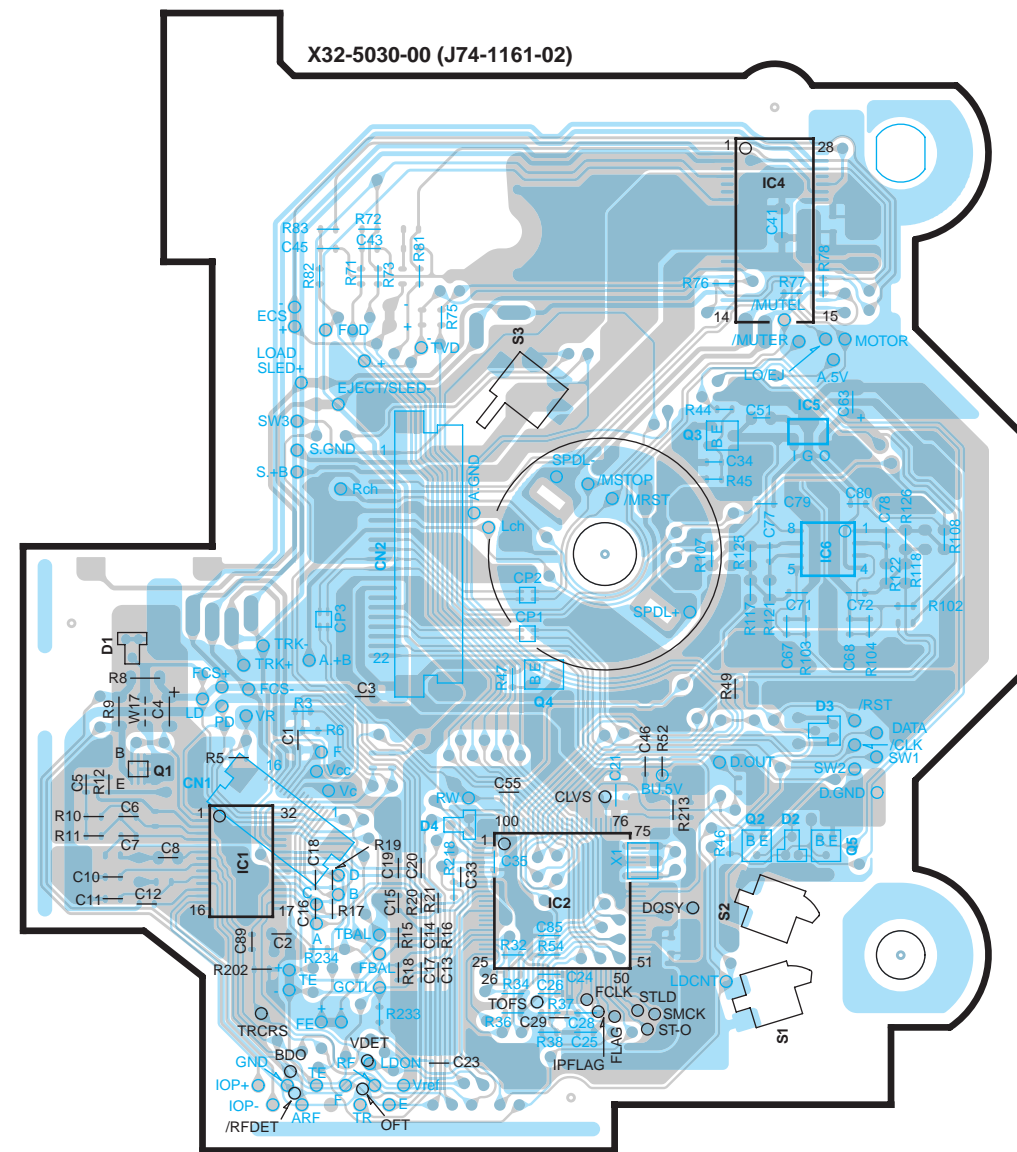
PC BOARD (Component Side View)

1
2
3
4
5
6
7

CD PLAYER UNIT

CD PLAYER UNIT
(X32-5030-00)

Ref. NO.	IC	Q	Address
1			4B
2			4C
4			2D
5			3D
6			3D
	1		4B
	2		4D
	3		3D
	4		4C
	5		4D



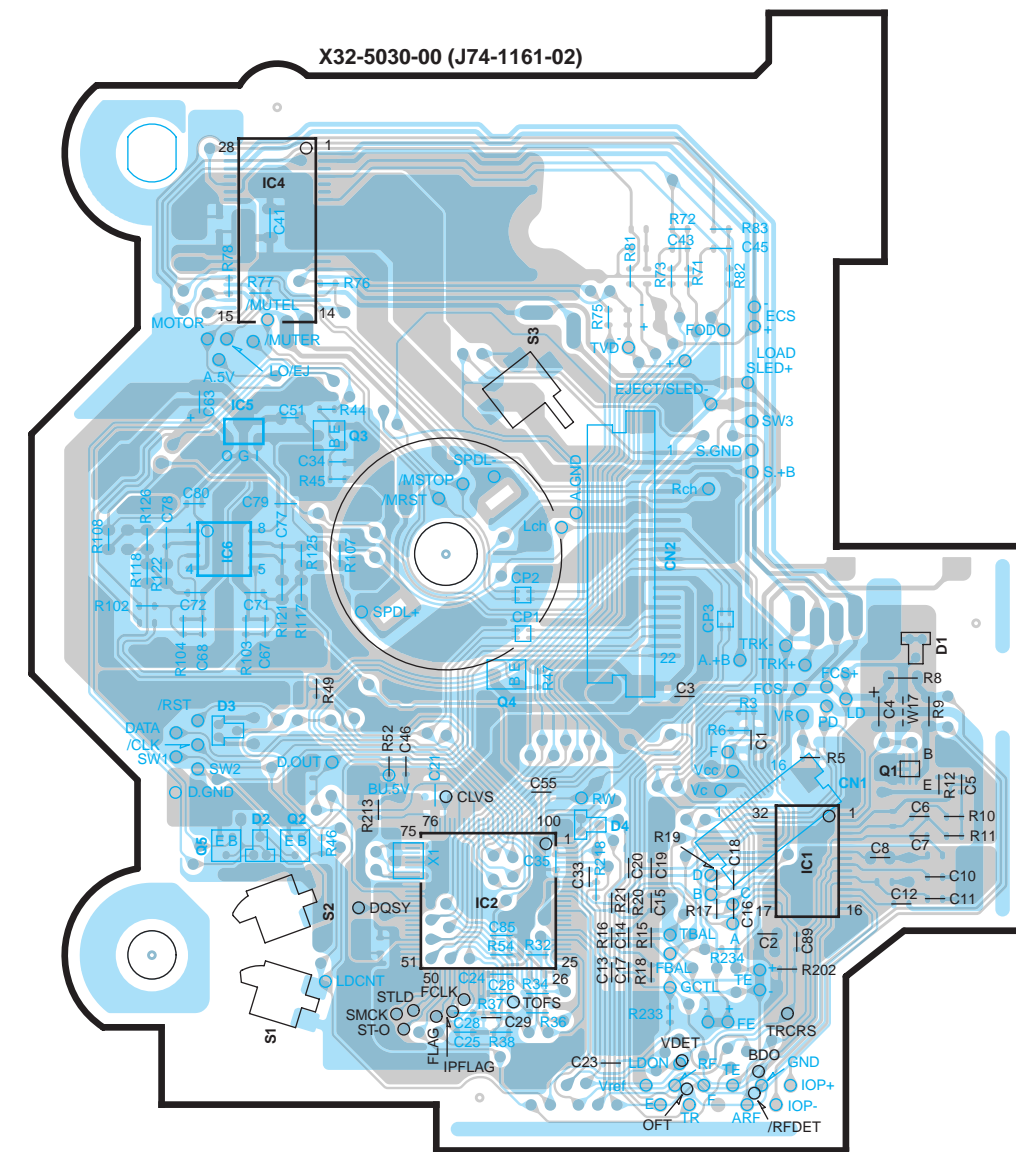
PC BOARD (Foil Side View)

CD PLAYER UNIT

X32-5030-00 (J74-1161-02)

CD PLAYER UNIT
(X32-5030-00)

Ref. NO.	IC	Q	Address
1			4H
2			4G
4			2F
5			3F
6			3F
	1		4H
	2		4F
	3		3F
	4		4G
	5		4F



Refer to the schematic diagram for the values of resistors and capacitors.

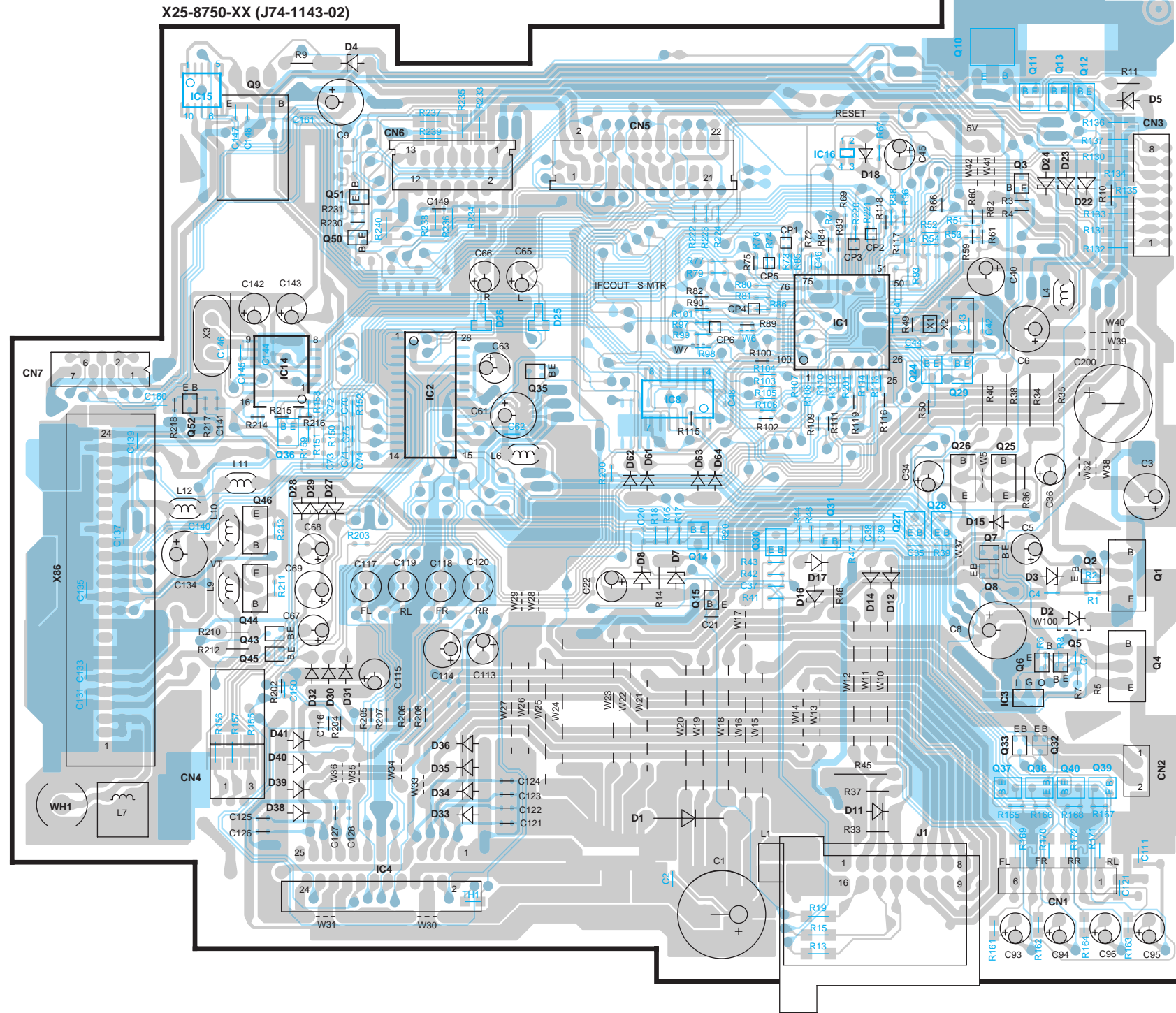
PC BOARD (Component Side View)

ELECTRIC UNIT

Front

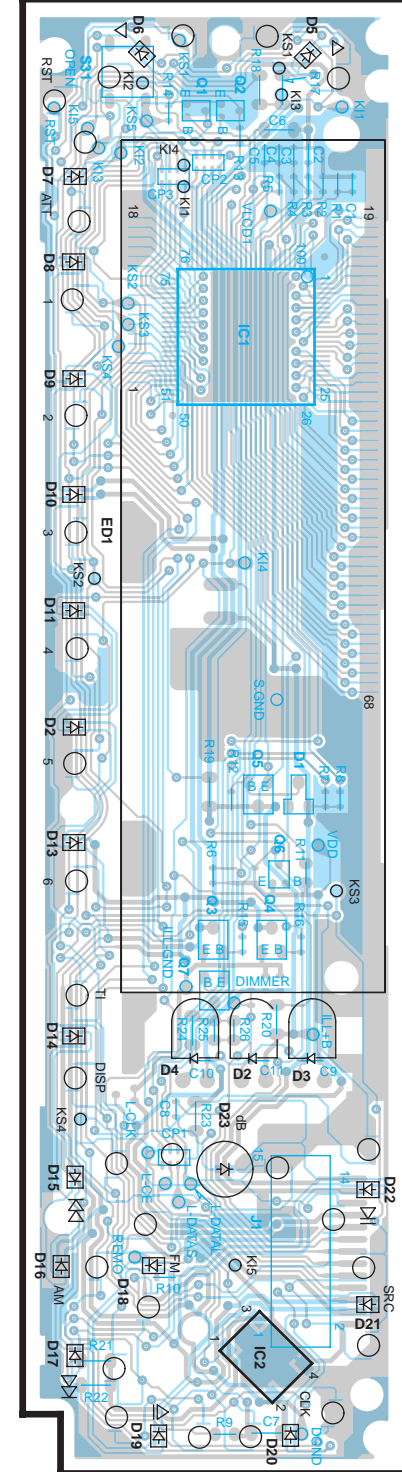
ELECTRIC UNIT (X25-8750-XX)

Ref. NO.	IC	Q	Address
1			3N
2			3L
3			5O
4			6L
8			3N
14			3L
15			2K
16			2N
	1		4P
	2		4O
	3		2O
	4		5P
	5		5O
	6		5O
	7		4O
	8		4O
	9		2L
	10		2O
	11		2O
	12		2O
	13		2O
	14		4N
	15		4N
	24		3O
	25		4O
	26		4O
	27		4O
	28		4O
	29		3O
	30		4N
	31		4N
	32		5O
	33		5O
	35		3M
	36		4L
	37		5O
	38		5O
	39		5P
	40		5O
	43		5L
	44		4L
	45		5L
	46		4L
	50		3L
	51		2L
	52		3K



SWITCH UNIT

X13-9960-10 (J74-1138-12)



SWITCH UNIT (X13-9960-10)

Ref. NO.	IC	Q	Address
1			3Q
2			6Q
	1		2Q
	2		2Q
	3		5Q
	4		5Q
	5		4Q
	6		4Q
	7		5Q

Refer to the schematic diagram for the values of resistors and capacitors.

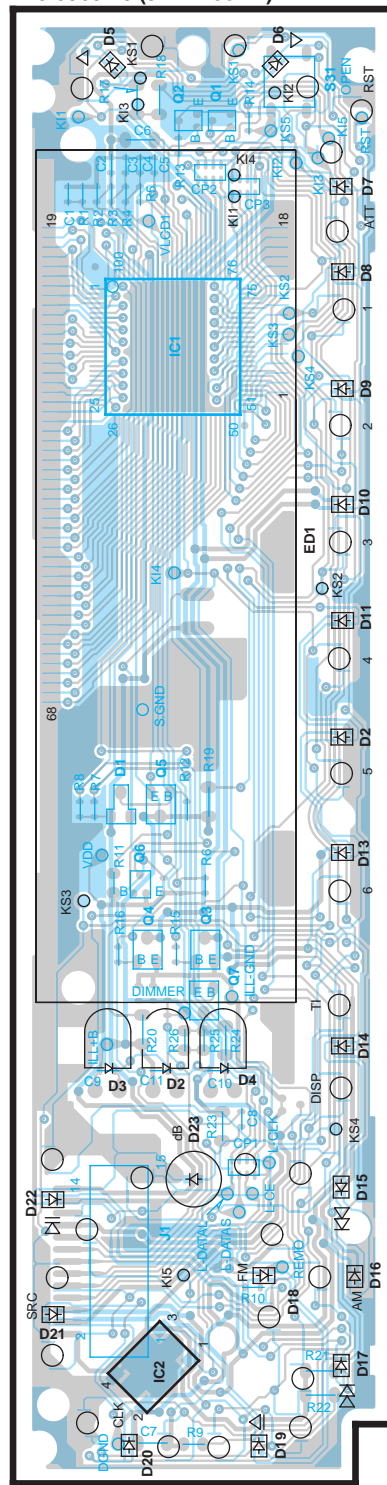
PC BOARD (Foil Side View)

SWITCH UNIT

X13-9960-10 (J74-1138-12)

SWITCH UNIT
(X13-9960-10)

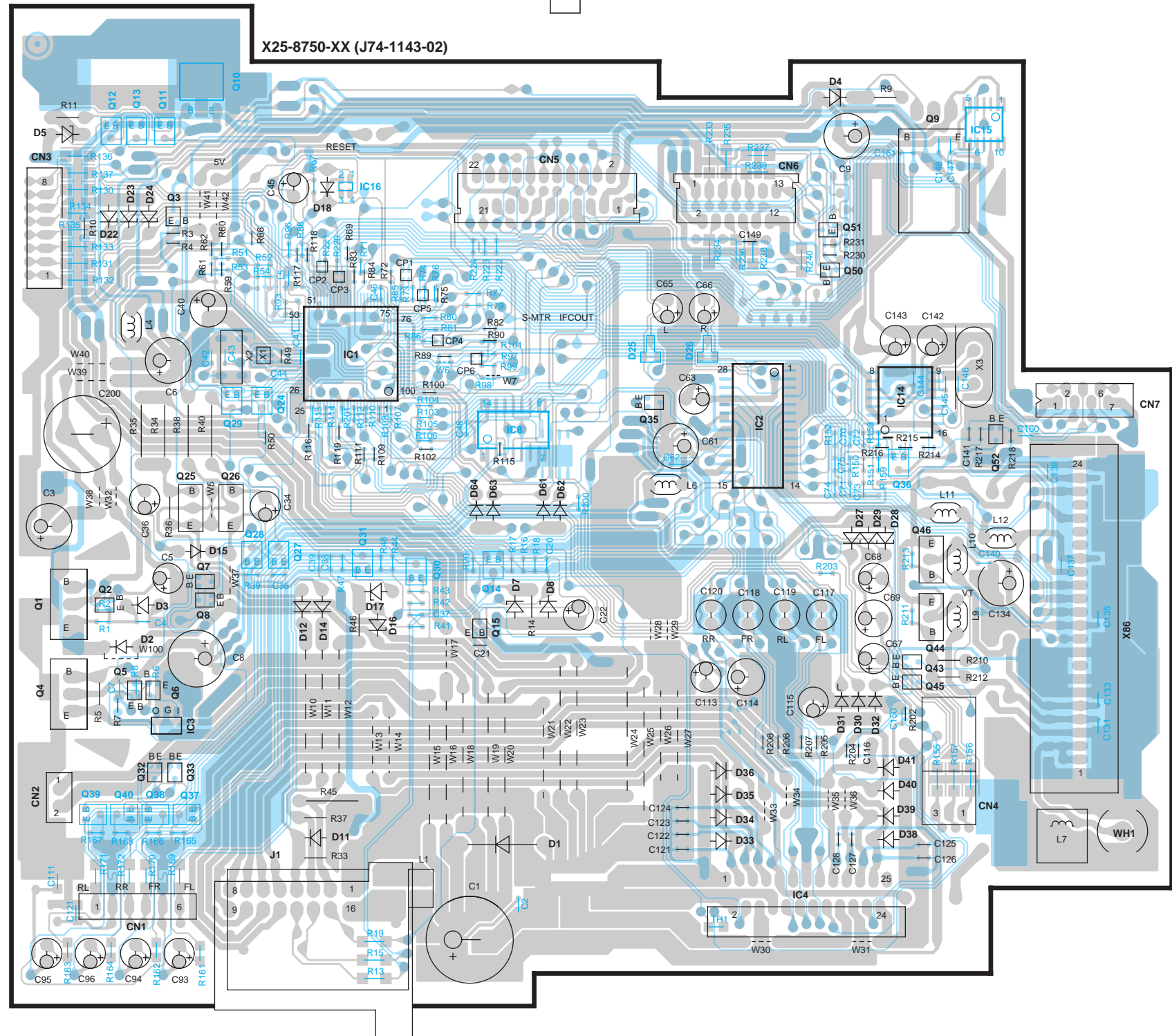
Ref. NO.	IC	Q	Address
1			3T
2			6T
1		2	2T
2		2	2T
3			5T
4			5T
5			4T
6			4T
7			5T



ELECTRIC UNIT

X25-8750-XX (J74-1143-02)

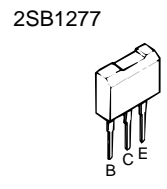
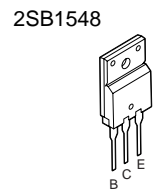
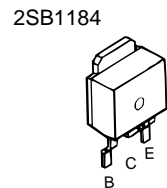
Front



ELECTRIC UNIT
(X25-8750-XX)

Ref. NO.	IC	Q	Address
1			3W
2			3Y
3			5V
4			6Y
8			3W
14			3Y
15			2Z
16			2W
1		1	4U
2		2	4V
3		3	2V
4		4	5U
5		5	5V
6		6	5V
7		7	4V
8		8	4V
9		9	2Y
10		10	2V
11		11	2V
12		12	2V
13		13	2V
14		14	4W
15		15	4W
24		24	3V
25		25	4V
26		26	4V
27		27	4V
28		28	4V
29		29	3V
30		30	4W
31		31	4W
32		32	5V
33		33	5V
35		35	3X
36		36	4Y
37		37	5V
38		38	5V
39		39	5U
40		40	5V
43		43	5Y
44		44	4Y
45		45	5Y
46		46	4Y
50		50	3Y
51		51	2Y
52		52	3Z

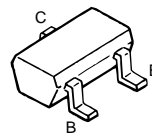
Refer to the schematic diagram for the values of resistors and capacitors.



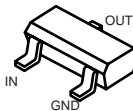
- DTA123JK
- DTC114YUA
- DTC143TUA
- DTC143ZK
- UN5213
- UN5214
- 2SA1362
- 2SA1576A
- 2SB1218A
- 2SC2412K
- 2SD1819A
- 2SD2114K



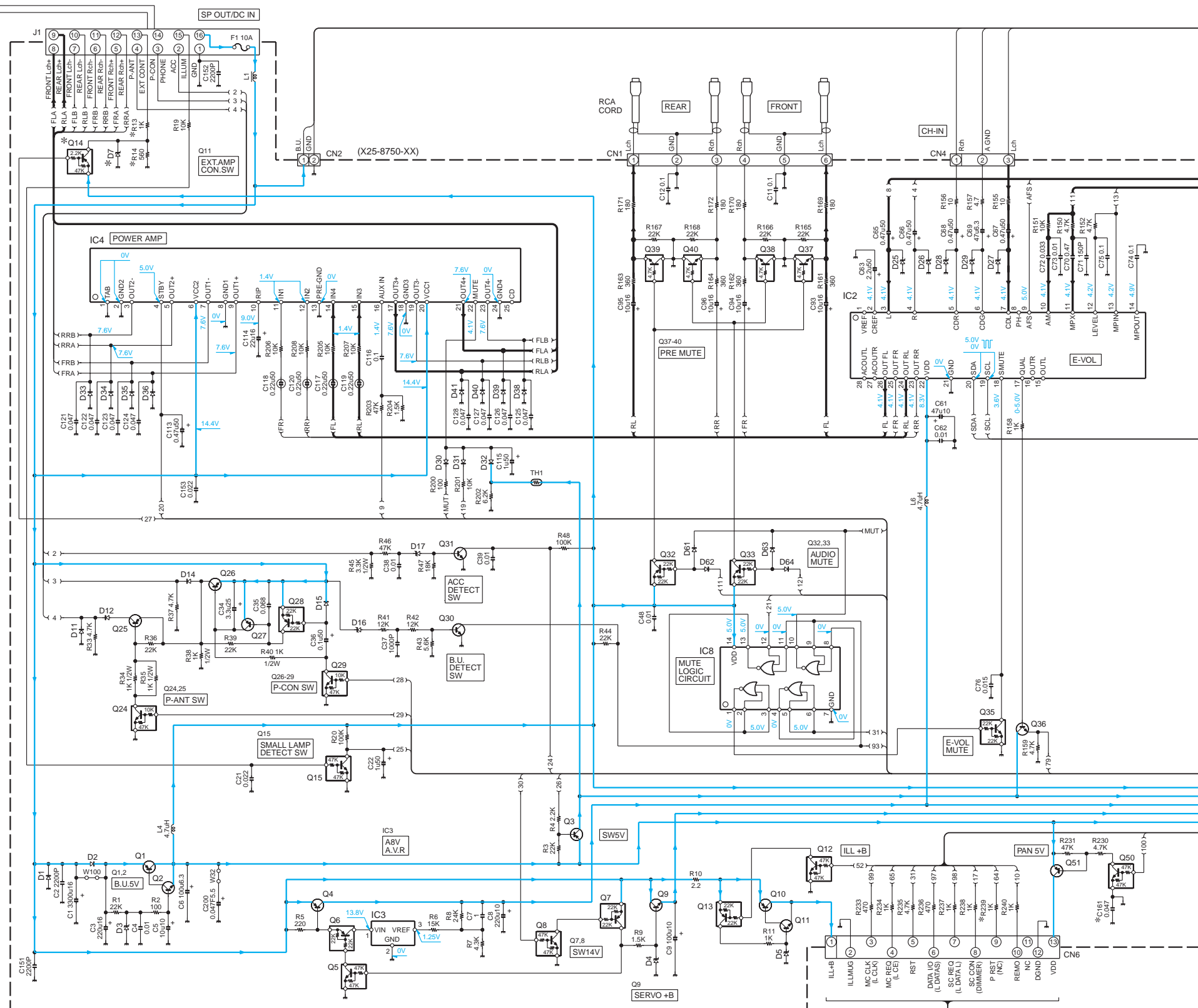
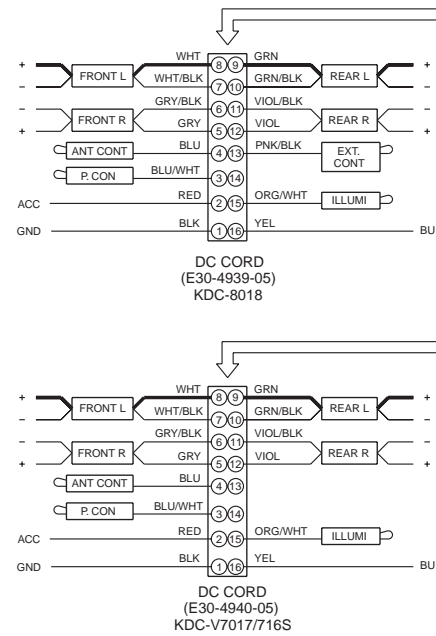
2SC4081



- DTA114EUA
- DTA124EUA
- DTC124EUA
- DTC144EUA



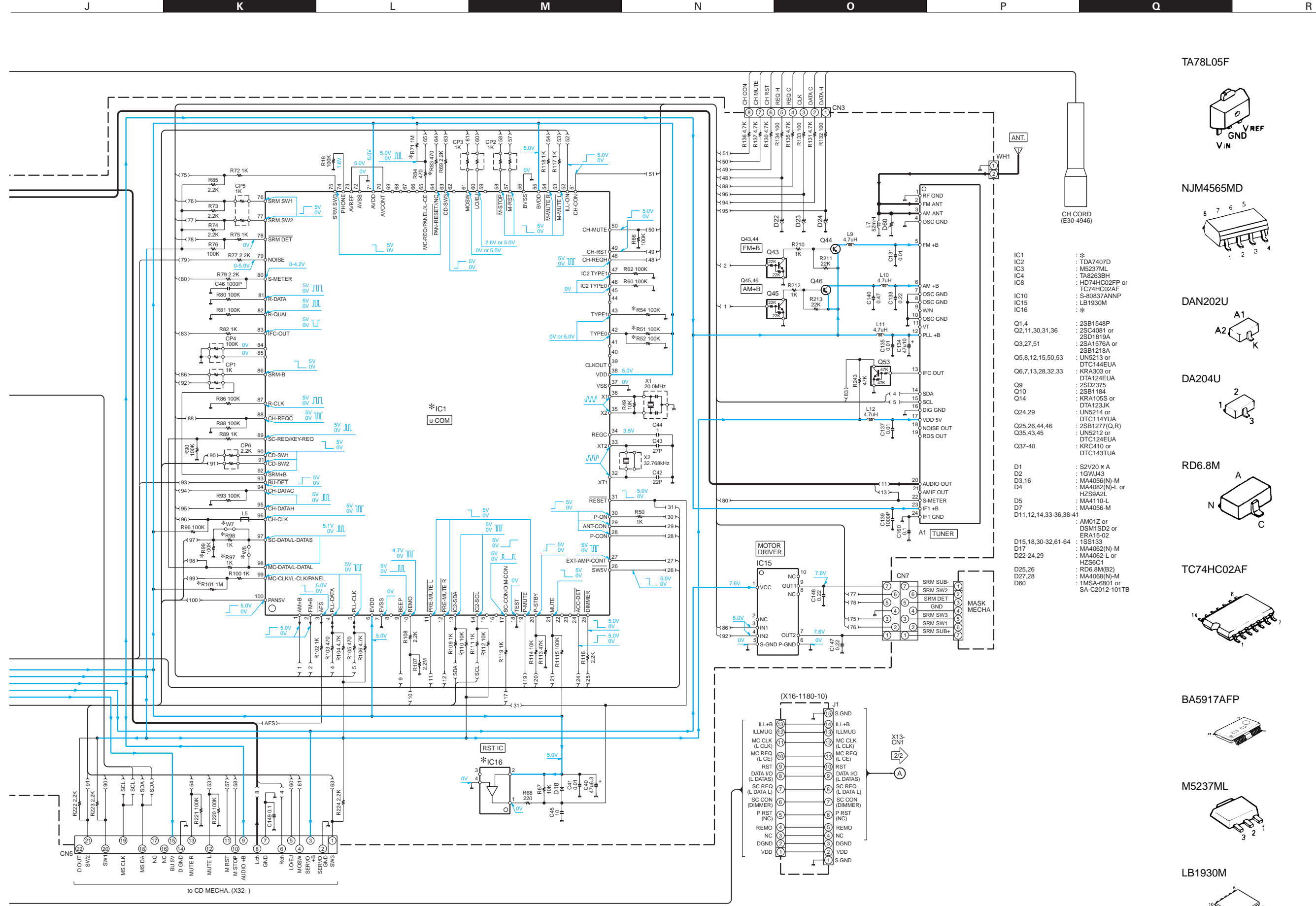
UN5212



MODEL NAME	UNIT No.	C161	D7	IC1	Q14	R13	R51	R52	R54	R71.83	R97	WB	IC16	IC16
KDC-V7017	0-10	NO	NO	UPD703033GC052	NO	NO	NO	YES	NO	YES	NO	YES	S-80837ANNP	S-80842ANNP
KDC-716S	0-11	NO	NO	UPD703033GC053	NO	NO	NO	YES	NO	YES	NO	YES	S-80837ANNP	S-80842ANNP
KDC-8018	0-21	YES	YES	UPD703033GC053	YES	YES	YES	NO	YES	NO	YES	NO	S-80837ANNP	S-80842ANNP

— SIGNAL LINE
— GND LINE
— +B LINE

CAUTION: For continued safety, replace safety critical components only with manufacturer's recommended parts (refer to parts list). ⚠ Indicates safety critical components. To reduce the risk of electric shock, leakage-current or resistance measurements shall be carried out (exposed parts are acceptably insulated from the supply circuit) before the appliance is returned to the customer.



DC voltages are as measured with a high impedance voltmeter. Values may vary slightly due to variations between individual instruments or/and units.

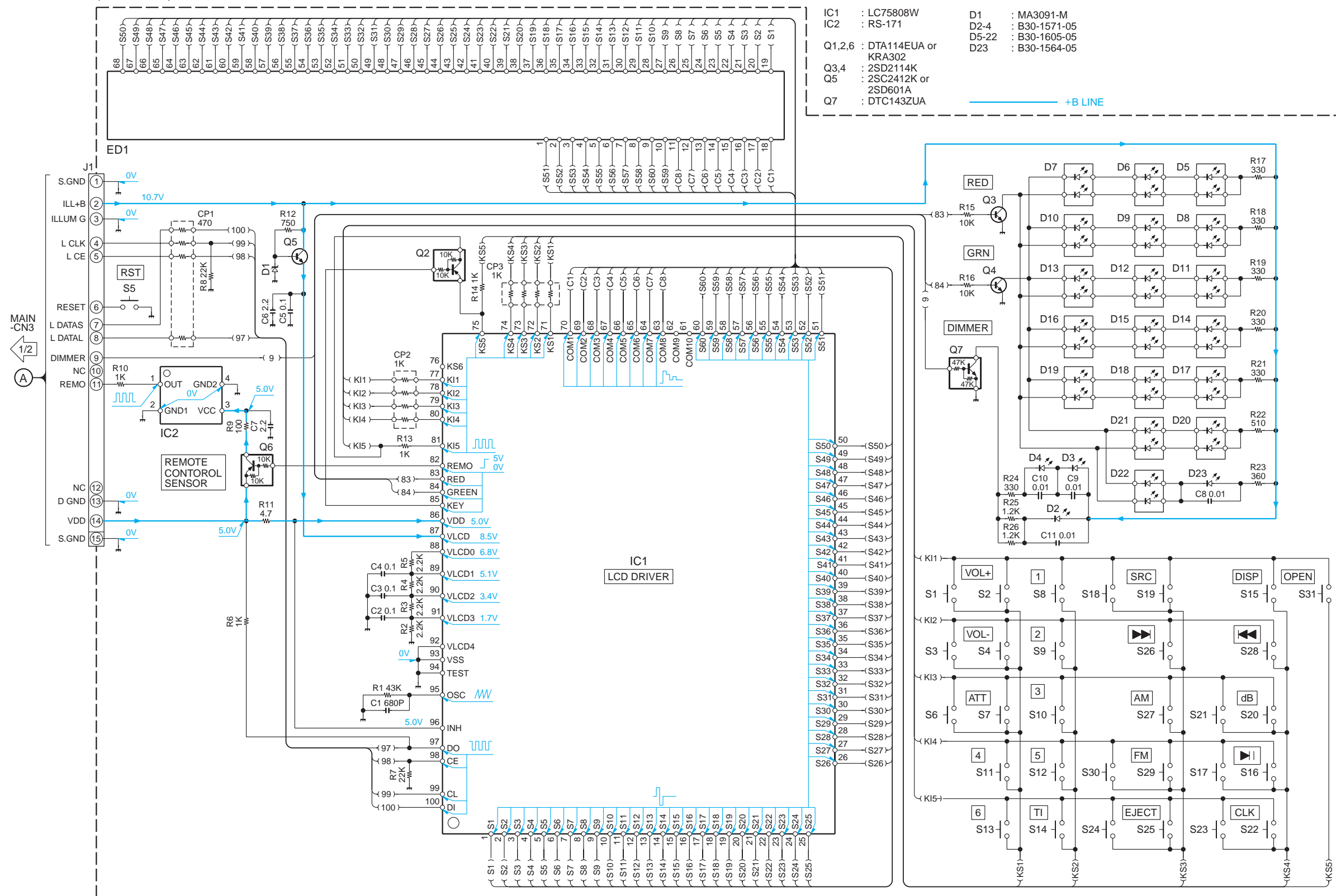
KDC-716S/8018

KENWOOD

- TA78L05F
- NJM4565MD
- DAN202U
- DA204U
- RD6.8M
- TC74HC02AF
- BA5917AFP
- M5237ML
- LB1930M

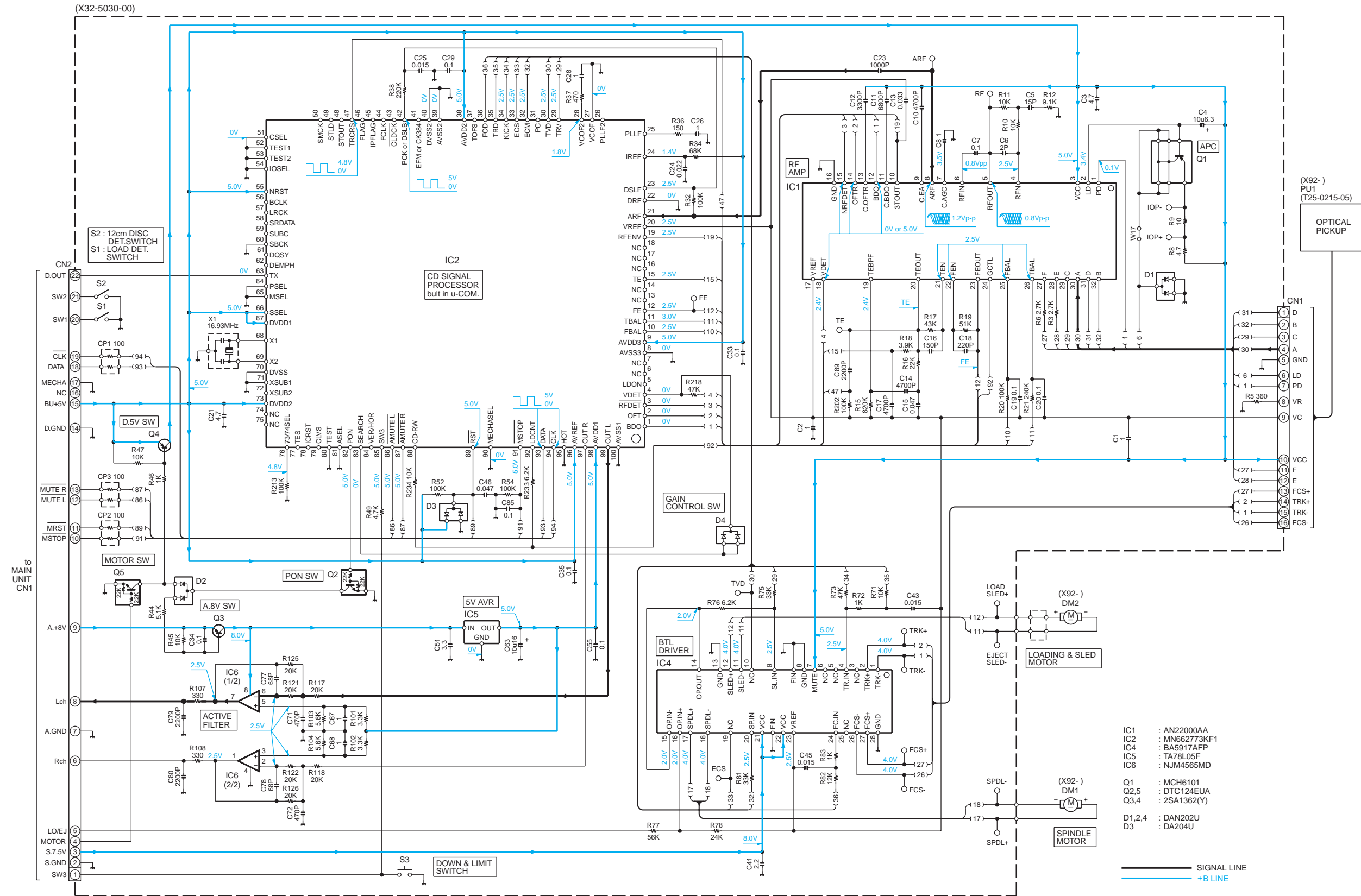
- IC1 : *IC1
- IC2 : *TDA7407D
- IC3 : *M5237ML
- IC4 : *TA8263BH
- IC8 : *HD74HC02FP or TC74HC02AF
- IC10 : *S-80837ANNP
- IC15 : *LB1930M
- IC16 : *
- Q1,4 : *2SB1548P
- Q2,11,30,31,36 : *2SC4081 or 2SD1819A
- Q3,27,51 : *2SA1576A or 2SB1218A
- Q5,8,12,15,50,53 : *UN5213 or DTC144EUA
- Q6,7,13,28,32,33 : *KRA303 or DTA124EUA
- Q9 : *2SD2375
- Q10 : *2SB1184
- Q14 : *KRA105S or DTA123JK
- Q24,29 : *UN5214 or DTC114YUA
- Q25,26,44,46 : *2SB1277(Q,R)
- Q35,43,45 : *UN5212 or DTC124EUA
- Q37-40 : *KRC410 or DTC143TUA
- D1 : *S2V20 * A
- D2 : *1GWJ43
- D3,16 : *MA4056(N)-M
- D4 : *MA4082(N)-L or HZS9A2L
- D5 : *MA4110-L
- D7 : *MA4056-M
- D11,12,14,33-36,38-41 : *AM01Z or DSM1SD2 or ERA15-02
- D15,18,30-32,61-64 : *1S133
- D17 : *MA4062(N)-M
- D22-24,29 : *MA4062-L or HZS6C1
- D25,26 : *RD6.8M(B2)
- D27,28 : *MA4068(N)-M
- D60 : *1MSA-6801 or SA-C2012-101TB

(X13-9960-10)



CAUTION:For continued safety, replace safety critical components only with manufacturer's recommended parts (refer to parts list). ⚠ Indicates safety critical components. To reduce the risk of electric shock, leakage-current or resistance measurements shall be carried out (exposed parts are acceptably insulated from the supply circuit) before the appliance is returned to the customer.

DC voltages are as measured with a high impedance voltmeter. Values may vary slightly due to variations between individual instruments or/and units.



CAUTION: For continued safety, replace safety critical components only with manufacturer's recommended parts (refer to, parts list). ⚠ Indicates safety critical components. To reduce the risk of electric shock, leakage-current or resistance measurements shall be carried out (exposed parts are acceptably insulated from the supply circuit) before the appliance is returned to the customer.

DC voltages are as measured with a high impedance voltmeter. Values may vary slightly due to variations between individual instruments or/and units.

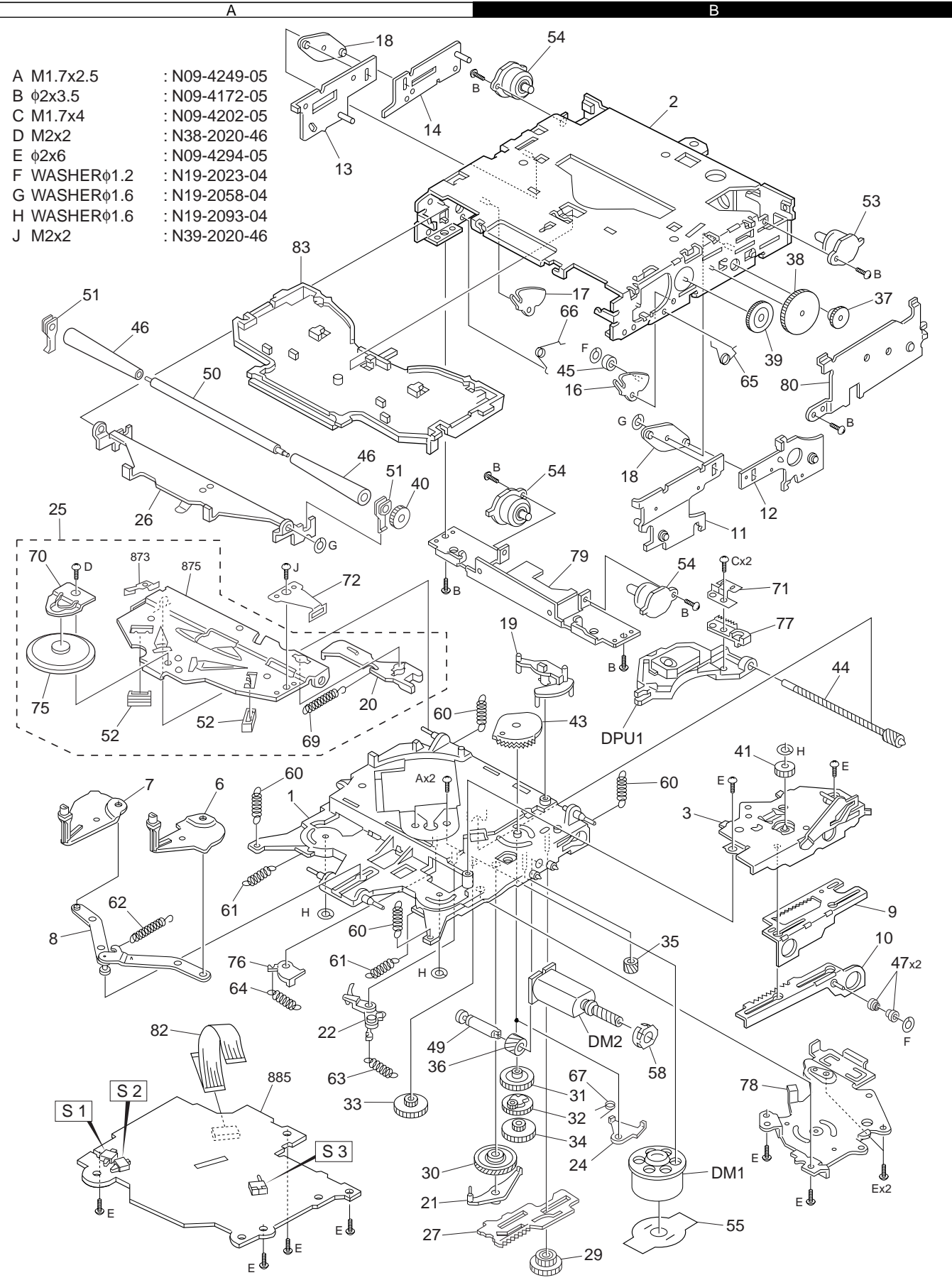
CD MECHANISM

KDC-716S/8018

KENWOOD

KDC-716S/8018

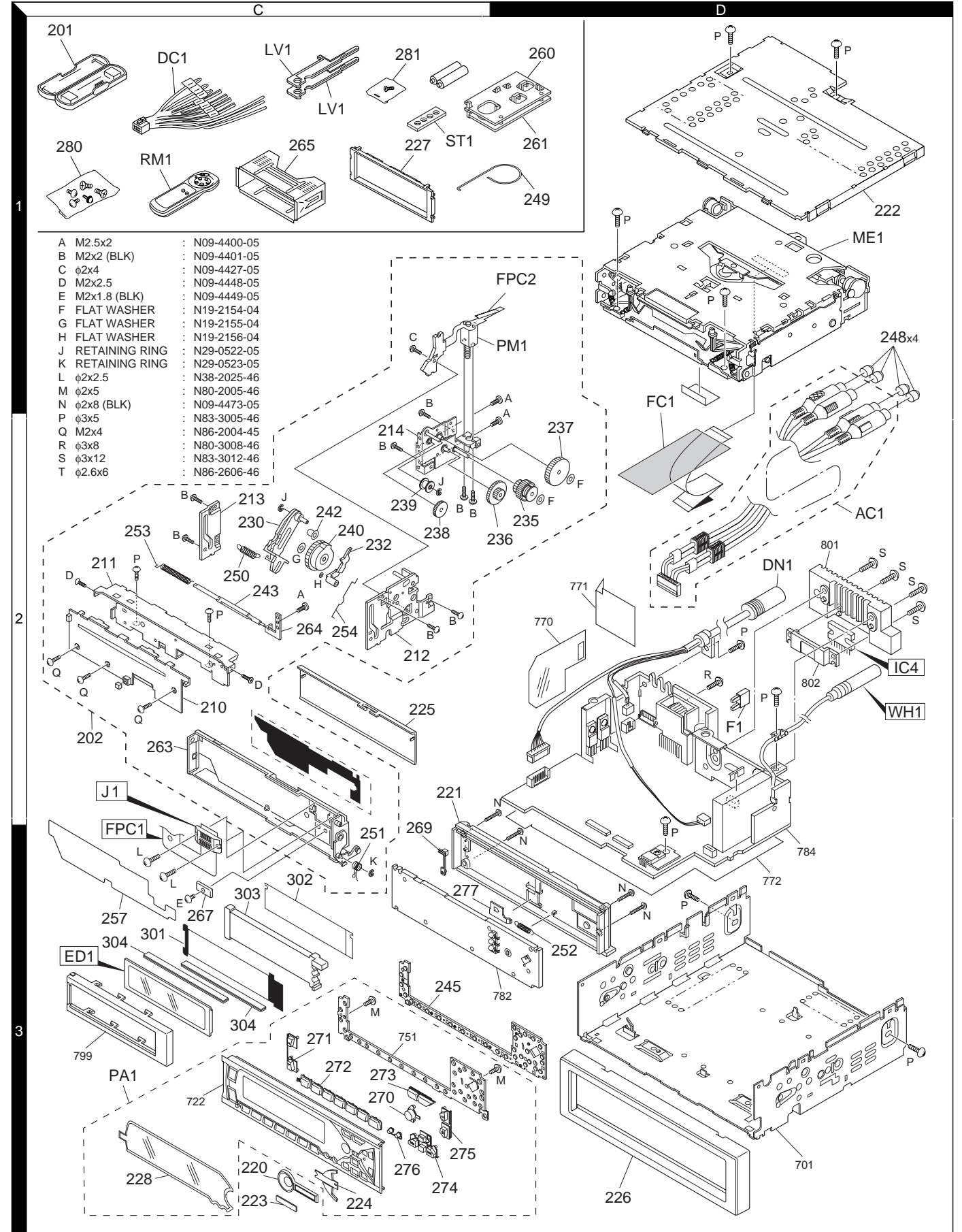
EXPLODED VIEW (CD MECHANISM)



Parts with exploded numbers larger than 700 are not supplied.

KDC-716S/8018

EXPLODED VIEW (UNIT)



Parts with exploded numbers larger than 700 are not supplied.

PARTS LIST

* New Parts

Parts without Parts No. are not supplied.

Les articles non mentionnes dans le Parts No. ne sont pas fournis.

Teile ohne Parts No. werden nicht geliefert.

KDC-716S/8018

SWITCH UNIT(X13-9960-10)

Ref.No.	A d d	N e w	Parts No.	Description	Dest inati on
KDC-716S/8018					
201	1C		A02-1497-03	PLASTIC CABINET ASSY	
202	2C		A10-4803-02	CHASSIS ASSY	
210	2C		A22-2865-03	SUB PANEL ASSY	
211	2C		A10-4805-02	CHASSIS	
212	2C		A10-4807-03	CHASSIS CALKING ASSY	
213	2C		A10-4812-03	CHASSIS	
214	2C		A10-4810-03	CHASSIS CALKING ASSY	
220	3C		A21-4072-03	DRESSING PANEL	
221	3C		A46-1691-01	REAR COVER	
222	1D		A52-0779-02	TOP PLATE	
PA1	3C	*	A64-2154-02	PANEL ASSY	K5
PA1	3C	*	A64-2156-02	PANEL ASSY	M2
RM1	1C		A70-0883-05	REMOTE CONTROLLER ASSY	
223	3C		B03-3070-04	DRESSING PLATE	
224	3C		B03-3071-03	DRESSING PLATE	
225	2C		B03-3073-02	DRESSING PLATE	
226	3D		B07-3007-03	ESCUTCHEON ASSY	
227	1C		B07-3010-02	ESCUTCHEON	
228	3C	*	B10-3257-01	FRONT GLASS	K5
228	3C	*	B10-3259-01	FRONT GLASS	M2
-			B46-0100-50	WARRANTY CARD	
-			B46-0606-04	ID CARD	K5
-			B46-0612-14	ID CARD	M2
-			B58-1344-04	CAUTION CARD K5	
-			B64-1893-00	INSTRUCTION MANUAL E	K5
-			B64-1894-00	INSTRUCTION MANUAL F,S	K5
-			B64-1897-00	INSTRUCTION MANUAL E,T	M2
-			B64-1898-00	INSTRUCTION MANUAL A	M2
230	2C		D10-4563-04	ARM ASSY	
232	2C		D10-4590-04	ARM	
235	2D		D13-2135-04	GEAR ASSY	
236	2D		D13-2138-04	GEAR	
237	2D		D13-2139-04	GEAR	
238	2C		D13-2140-04	GEAR	
239	2C		D13-2141-04	GEAR ASSY	
240	2C		D13-2165-03	GEAR ASSY	
242	2C		D14-0754-04	ROLLER	
243	2C		D14-0760-03	ROLLER	
LV1	1C		D10-4562-04	LEVER	
245	3C		E29-1824-02	CONDUCTIVE RUBBER	
AC1	2D		E30-4935-05	CORD WITH PINPLUG	
DC1	1C		E30-4939-05	DC CORD	M2
DC1	1C		E30-4940-05	DC CORD	K5
DN1	2D		E30-4946-05	CORD WITH DIN CONNECTOR	
DN1	2D		E30-4947-05	CORD WITH DIN CONNECTOR	
FC1	2D		E39-0375-05	FLAT CABLE	
248	1D		F29-0049-05	INSULATING COVER	
F1	2D		F52-0006-05	FUSE(MINI BLADE TYPE)	
F1	2D		F52-0011-05	FUSE(MINI BLADE TYPE)	
249	1D		G01-2924-04	TORSION COIL SPRING	
250	2C		G01-3065-04	EXTENSION SPRING	

Ref.No.	A d d	N e w	Parts No.	Description	Dest inati on
251	3C		G01-3066-04	TORSION COIL SPRING	
252	3D		G01-3069-04	EXTENSION SPRING	
253	2C		G01-3080-04	TORSION COIL SPRING	
254	2C		G09-2038-04	FORMED WIRE	
257	3C		G16-1177-04	SHEET	
-			H10-4764-02	POLYSTYRENE FOAMED FIXTURE	
-			H25-0329-04	PROTECTION BAG (280X450X0.03)	
-			H25-0337-04	PROTECTION BAG (180X300X0.03)	
-			H25-1108-04	PROTECTION BAG (100X300X0.03)	
-			H30-0544-04	ADHESIVE DOUBLE-COATED TAPE	
-		*	H54-2025-03	ITEM CARTON CASE	K5
-		*	H54-2027-03	ITEM CARTON CASE	M2
260	1D		J19-5051-03	BRACKET L	
261	1D		J19-5052-03	BRACKET R	
263	2C		J21-9651-03	MOUNTING HARDWARE ASSY	
264	2C		J21-9699-04	MOUNTING HARDWARE	
265	1C		J21-9716-03	MOUNTING HARDWARE ASSY	
267	3C		J90-0999-04	GUIDE	
FPC2	1C		J84-0122-04	FLEXIBLE PRINTED WIRING BOARD	
ST1	1C		J54-0606-04	STAY	
269	3C		K24-3646-04	KNOB OPEN	
270	3C		K24-3647-04	KNOB EQ	
271	3C		K25-1222-03	KNOB VOL	
272	3C		K25-1223-03	KNOB 1-6	
273	3C		K25-1224-03	KNOB SRC	
274	3C		K25-1225-03	KNOB FM,AM	
275	3C		K25-1226-03	KNOB EJECT	
276	3C		K25-1227-03	KNOB DISP	
277	3C		K29-7017-03	KNOB LOCK	
280	1C		N99-1652-05	SCREW SET	
281	1C		N99-1704-05	SCREW SET	
A	2C		N09-4400-05	MACHINE SCREW	
B	2C		N09-4401-05	MACHINE SCREW	
C	1C		N09-4427-05	TAPTITE SCREW	
D	2C		N09-4448-05	MACHINE SCREW	
E	3C		N09-4449-05	MACHINE SCREW	
F	2D		N19-2154-04	FLAT WASHER	
G	2C		N19-2155-04	FLAT WASHER	
H	2C		N19-2156-04	FLAT WASHER	
J	2C		N29-0522-05	RETAINING RING	
K	3C		N29-0523-05	RETAINING RING	
L	3C		N38-2025-46	PAN HEAD MACHIN SCREW	
M	3C		N80-2005-46	PAN HEAD TAPTITE SCREW	
N	3D		N80-2008-45	PAN HEAD TAPTITE SCREW	
P	1D		N83-3005-46	PAN HEAD TAPTITE SCREW	
Q	2C		N86-2004-45	BINDING HEAD TAPTITE SCREW	
PM1	1C		T42-1034-04	MOTOR ASSY	
ME1	1D		X92-4100-00	MECHANISM ASSY	
SWITCH UNIT (X13-9960-10)					
301	3C		B11-1324-04	OPTICAL DIFFUSER	
302	3C		B11-1322-04	REFLECTION SHEET	
303	3C		B19-2062-03	LIGHTING BOARD	

K5: KDC-716S M2: KDC-8018

⚠ indicates safety critical components.

KDC-716S/8018

PARTS LIST

* New Parts

Parts without Parts No. are not supplied.

Les articles non mentionnes dans le Parts No. ne sont pas fournis.

Teile ohne Parts No. werden nicht geliefert.

SWITCH UNIT(X13-9960-10)
SUB CIRCUIT UNIT(X16-1180-10)
ELECTRIC UNIT(X25-8750-XX)

Ref.No.	A d d	N e w	Parts No.	Description	Dest inati on
D2-4 D5-22 D23 ED1			B30-1571-05 B30-1605-05 B30-1564-05 B38-1051-05	LED(WHITE) LED(2COLOR PG/RED) LED(1608,BLUE) LIQUID CRYSTAL	
C1 C2-5 C2-5 C6,7 C8-11			CC73GCH1H681J CK73GB1C104K CK73GB1H104K CK73EB1C225K CK73GB1H103K	CHIP C 680PF J CHIP C 0.10UF K CHIP C 0.10UF K CHIP C 2.2UF K CHIP C 0.010UF K	
304 J1	3C		E29-1596-04 E59-0835-05	CONDUCTIVE RUBBER RECTANGULAR PLUG	
CP1 CP2,3 R1 R2-5 R6			R90-1016-05 R90-0724-05 RK73GB1J433J RK73GB1J222J RK73GB1J102J	MULTI-COMP 470 X4 MULTI-COMP 1K X4 CHIP R 43K J 1/16W CHIP R 2.2K J 1/16W CHIP R 1.0K J 1/16W	
R7,8 R9 R10 R11 R12			RK73GB1J223J RK73FB2A101J RK73GB1J102J RK73FB2A4R7J RK73GB1J751J	CHIP R 22K J 1/16W CHIP R 100 J 1/10W CHIP R 1.0K J 1/16W CHIP R 4.7 J 1/10W CHIP R 750 J 1/16W	
R13,14 R15,16 R17-21 R22 R23			RK73GB1J102J RK73GB1J103J RK73EB2B331J RK73EB2B511J RK73EB2B361J	CHIP R 1.0K J 1/16W CHIP R 10K J 1/16W CHIP R 330 J 1/8W CHIP R 510 J 1/8W CHIP R 360 J 1/8W	
R24 R25,26			RK73EB2B331J RK73FB2A122J	CHIP R 330 J 1/8W CHIP R 1.2K J 1/10W	
S31			S70-0864-05	TACT SWITCH	
D1 IC1 IC2 Q2 Q2			MA3091-M LC75808W RS-171 DTA114EUA KRA302	ZENER DIODE MOS-IC ANALOGUE IC DIGITAL TRANSISTOR DIGITAL TRANSISTOR	
Q3,4 Q5 Q5 Q6 Q6			2SD2114K 2SC2412K 2SD601A DTA114EUA KRA302	TRANSISTOR TRANSISTOR TRANSISTOR DIGITAL TRANSISTOR DIGITAL TRANSISTOR	
Q7			DTC143ZK	DIGITAL TRANSISTOR	
SUB CIRCUIT UNIT (X16-1180-10)					
J1	3C		E58-0903-05	RECTANGULAR RECEPTACLE	
FPC1	3C	*	J84-0121-12	FLEXIBLE PRINTED WIRING BOARD	
ELECTRIC UNIT (X25-8750-XX)					
C1 C2 C3 C4 C5			C90-5242-05 CK73GB1H222K C90-2866-05 CK73GB1H103K C90-2594-05	ELECTRO 3300UF 16WV CHIP C 2200PF K ELECTRO 220UF 16WV CHIP C 0.010UF K ELECTRO 10UF 10WV	
C6 C7			CE04CW0J101M CK73FB1C105K	ELECTRO 100UF 6.3WV CHIP C 1.0UF K	

Ref.No.	A d d	N e w	Parts No.	Description	Dest inati on
C8 C9 C11,12 C21 C21			CE04CW1A221M CE04CW1A101M CK73FB1H104K CK73GB1E223K CK73GB1H223K	ELECTRO 220UF 10WV ELECTRO 100UF 10WV CHIP C 0.10UF K CHIP C 0.022UF K CHIP C 0.022UF K	
C22 C34 C35 C36 C37			C90-2608-05 C90-2598-05 CK73GB1C683K C90-2602-05 CK73GB1H102K	ELECTRO 1.0UF 50WV ELECTRO 3.3UF 25WV CHIP C 0.068UF K ELECTRO 0.10UF 50WV CHIP C 1000PF K	
C38,39 C40 C41 C42 C43			CK73GB1H103K CE04CW0J470M CK73GB1H103K CC73GCH1H220J CC73GCH1H270J	CHIP C 0.010UF K ELECTRO 47UF 6.3WV CHIP C 0.010UF K CHIP C 22PF J CHIP C 27PF J	
C44 C45 C46 C48 C61			CK73GB0J105K C90-2608-05 CK73GB1H102K CK73GB1H103K CE04CW1A470M	CHIP C 1.0UF K ELECTRO 1.0UF 50WV CHIP C 1000PF K CHIP C 0.010UF K ELECTRO 47UF 10WV	
C62 C63 C65-68 C69 C70			CK73GB1H103K C90-2610-05 C90-2606-05 CE04CW0J470M CK73GB1A474K	CHIP C 0.010UF K ELECTRO 2.2UF 50WV ELECTRO 0.47UF 50WV ELECTRO 47UF 6.3WV CHIP C 0.47UF K	
C71 C72 C72 C73 C74,75			CC73GCH1H151J CK73GB1E333K CK73GB1H333K CK73GB1H103K CK73GB1C104K	CHIP C 150PF J CHIP C 0.033UF K CHIP C 0.033UF K CHIP C 0.010UF K CHIP C 0.10UF K	
C74,75 C93-96 C113 C114 C115			CK73GB1H104K C90-2597-05 C90-2606-05 CE04CW1C220M C90-2608-05	CHIP C 0.10UF K ELECTRO 10UF 16WV ELECTRO 0.47UF 50WV ELECTRO 22UF 16WV ELECTRO 1.0UF 50WV	
C116 C116 C117-120 C121-128 C121-128			CK73GB1C104K CK73GB1H104K C90-5296-05 CK73GB1E473K CK73GB1H473K	CHIP C 0.10UF K CHIP C 0.10UF K NP-ELECT 0.22UF 50WV CHIP C 0.047UF K CHIP C 0.047UF K	
C131 C133 C134 C135 C137			CK73GB1H103K CK73GB1A224K CE04CW1A470M CK73GB1H103K CK73GB1H103K	CHIP C 0.010UF K CHIP C 0.22UF K ELECTRO 47UF 10WV CHIP C 0.010UF K CHIP C 0.010UF K	
C139 C140 C147,148 C149 C149			CK73GB1H102K CK73GB1A474K CK73GB1A224K CK73GB1C104K CK73GB1H104K	CHIP C 1000PF K CHIP C 0.47UF K CHIP C 0.22UF K CHIP C 0.10UF K CHIP C 0.10UF K	
C150 C160,161 C160,161			CK73GB1H222K CK73GB1E473K CK73GB1H473K	CHIP C 2200PF K CHIP C 0.047UF K CHIP C 0.047UF K	
CN1			E40-3241-05	PIN ASSY	

K5: KDC-716S M2: KDC-8018

⚠ indicates safety critical components.

PARTS LIST

* New Parts

Parts without Parts No. are not supplied.

Les articles non mentionnes dans le Parts No. ne sont pas fournis.

Teile ohne Parts No. werden nicht geliefert.

ELECTRIC UNIT(X25-8750-XX)

Ref.No.	A d d	N e w	Parts No.	Description	Dest inati on	Ref.No.	A d d	N e w	Parts No.	Description	Dest inati on
CN2			E40-3237-05	PIN ASSY		R66,67			RK73GB1J104J	CHIP R 100K J 1/16W	
CN3			E40-3252-05	PIN ASSY		R69			RK73GB1J222J	CHIP R 2.2K J 1/16W	
CN4			E40-3261-05	PIN ASSY		R72			RK73GB1J102J	CHIP R 1.0K J 1/16W	
CN5			E40-9550-05	FLAT CABLE CONNECTOR		R73,74			RK73GB1J222J	CHIP R 2.2K J 1/16W	
CN6			E40-9557-05	FLAT CABLE CONNECTOR		R75			RK73GB1J102J	CHIP R 1.0K J 1/16W	
CN7			E40-5031-05	FLAT CABLE CONNECTOR		R76			RK73GB1J104J	CHIP R 100K J 1/16W	
J1			E58-0863-15	RECTANGULAR RECEPTACLE		R77			RK73GB1J222J	CHIP R 2.2K J 1/16W	
WH1			E30-4804-05	CORD WITH PLUG		R79			RK73GB1J222J	CHIP R 2.2K J 1/16W	
WH1			E30-4932-05	CORD WITH PLUG		R80,81			RK73GB1J104J	CHIP R 100K J 1/16W	
L1			L33-1170-05	CHOKO COIL ASSY		R82			RK73GB1J102J	CHIP R 1.0K J 1/16W	
L4			L40-4795-91	SMALL FIXED INDUCTOR(4.7UH,J)		R84			RK73GB1J471J	CHIP R 470 J 1/16W	
L5			L92-0075-05	CHIP FERRITE		R85			RK73GB1J222J	CHIP R 2.2K J 1/16W	
L6			L40-4795-91	SMALL FIXED INDUCTOR(4.7UH,J)		R86			RK73GB1J104J	CHIP R 100K J 1/16W	
L7			L33-1039-05	LINE FILTER COIL		R88			RK73GB1J104J	CHIP R 100K J 1/16W	
L9-12			L40-4795-91	SMALL FIXED INDUCTOR(4.7UH,J)		R89			RK73GB1J102J	CHIP R 1.0K J 1/16W	
X1			L78-0821-05	RESONATOR		R90			RK73GB1J104J	CHIP R 100K J 1/16W	
X2			L77-2738-05	CRYSTAL RESONATOR		R93			RK73GB1J104J	CHIP R 100K J 1/16W	
P	2D		N83-3005-46	PAN HEAD TAPTITE SCREW		R96			RK73GB1J104J	CHIP R 100K J 1/16W	
R	2D		N80-3008-46	PAN HEAD TAPTITE SCREW		R97,98			RK73GB1J102J	CHIP R 1.0K J 1/16W	
S	2D		N83-3012-46	PAN HEAD TAPTITE SCREW		R100			RK73GB1J102J	CHIP R 1.0K J 1/16W	
T	2D		N86-2606-46	BINDING HEAD TAPTITE SCREW		R101			RK73GB1J105J	CHIP R 1.0M J 1/16W	
CP1-3			R90-0725-05	MULTI-COMP 1K X2		R102			RK73GB1J102J	CHIP R 1.0K J 1/16W	
CP4			R90-0737-05	MULTI-COMP 100K X2		R103			RK73GB1J471J	CHIP R 470 J 1/16W	
CP5			R90-0725-05	MULTI-COMP 1K X2		R104			RK73GB1J472J	CHIP R 4.7K J 1/16W	
CP6			R90-1013-05	MULTI-COMP 2.2K X2		R105			RK73GB1J471J	CHIP R 470 J 1/16W	
R1			RK73GB1J223J	CHIP R 22K J 1/16W		R106			RK73GB1J472J	CHIP R 4.7K J 1/16W	
R2			RK73GB1J101J	CHIP R 100 J 1/16W		R107			RK73GB1J225J	CHIP R 2.2M J 1/16W	
R3			RK73GB1J223J	CHIP R 22K J 1/16W		R108			RK73GB1J222J	CHIP R 2.2K J 1/16W	
R4			RK73GB1J222J	CHIP R 2.2K J 1/16W		R109			RK73GB1J102J	CHIP R 1.0K J 1/16W	
R6			RK73GB1J153J	CHIP R 15K J 1/16W		R110			RK73GB1J103J	CHIP R 10K J 1/16W	
R7			R92-3032-05	CHIP R 4.3K D 1/10W		R111			RK73GB1J102J	CHIP R 1.0K J 1/16W	
R8			R92-3047-05	CHIP R 24K D 1/10W		R112			RK73GB1J103J	CHIP R 10K J 1/16W	
R10			RK73EB2B2R2J	CHIP R 2.2 J 1/8W		R113			RK73GB1J473J	CHIP R 47K J 1/16W	
R13			RK73EB2B102J	CHIP R 1.0K J 1/8W	M2	R114			RK73GB1J103J	CHIP R 10K J 1/16W	
R18			RK73GB1J104J	CHIP R 100K J 1/16W		R115			RK73GB1J104J	CHIP R 100K J 1/16W	
R19			RK73EB2B103J	CHIP R 10K J 1/8W		R116			RK73GB1J222J	CHIP R 2.2K J 1/16W	
R20			RK73GB1J104J	CHIP R 100K J 1/16W		R117-119			RK73GB1J102J	CHIP R 1.0K J 1/16W	
R34,35			RD14DB2H102J	SMALL-RD 1.0K J 1/2W		R130,131			RK73EB2B472J	CHIP R 4.7K J 1/8W	
R38			RD14DB2H102J	SMALL-RD 1.0K J 1/2W		R132-134			RK73EB2B101J	CHIP R 100 J 1/8W	
R39			RK73GB1J223J	CHIP R 22K J 1/16W		R135-137			RK73EB2B472J	CHIP R 4.7K J 1/8W	
R40			RD14DB2H102J	SMALL-RD 1.0K J 1/2W		R150			RK73GB1J472J	CHIP R 4.7K J 1/16W	
R41,42			RK73GB1J123J	CHIP R 12K J 1/16W		R151			RK73GB1J103J	CHIP R 10K J 1/16W	
R43			RK73GB1J562J	CHIP R 5.6K J 1/16W		R152			RK73GB1J472J	CHIP R 4.7K J 1/16W	
R44			RK73GB1J223J	CHIP R 22K J 1/16W		R155,156			RK73EB2B100J	CHIP R 10 J 1/8W	
R45			RD14DB2H332J	SMALL-RD 3.3K J 1/2W		R157			RK73EB2B4R7J	CHIP R 4.7 J 1/8W	
R47			RK73GB1J183J	CHIP R 18K J 1/16W		R158			RK73GB1J102J	CHIP R 1.0K J 1/16W	
R48			RK73GB1J104J	CHIP R 100K J 1/16W		R159			RK73GB1J472J	CHIP R 4.7K J 1/16W	
R49			RK73GB1J103J	CHIP R 10K J 1/16W		R161-164			RK73FB2A361J	CHIP R 360 J 1/10W	
R50			RK73GB1J102J	CHIP R 1.0K J 1/16W		R165-168			RK73GB1J223J	CHIP R 22K J 1/16W	
R51			RK73GB1J104J	CHIP R 100K J 1/16W	M2	R169-172			RK73EB2B181J	CHIP R 180 J 1/8W	
R52			RK73GB1J104J	CHIP R 100K J 1/16W	K5	R200			RK73GB1J101J	CHIP R 100 J 1/16W	
R54			RK73GB1J104J	CHIP R 100K J 1/16W		R201			RK73GB1J103J	CHIP R 10K J 1/16W	
R60			RK73GB1J104J	CHIP R 100K J 1/16W		R202			RK73GB1J622J	CHIP R 6.2K J 1/16W	
R62			RK73GB1J104J	CHIP R 100K J 1/16W		R203			RK73GB1J473J	CHIP R 47K J 1/16W	
						R204			RK73GB1J152J	CHIP R 1.5K J 1/16W	

K5: KDC-716S M2: KDC-8018

△ indicates safety critical components.

KDC-716S/8018

PARTS LIST

* New Parts

Parts without Parts No. are not supplied.

Les articles non mentionnes dans le Parts No. ne sont pas fournis.

Teile ohne Parts No. werden nicht geliefert.

ELECTRIC UNIT(X25-8750-XX)

Ref.No.	A d d	N e w	Parts No.	Description	Dest inati on
R205-208			RK73GB1J103J	CHIP R 10K J 1/16W	M2
R211			RK73GB1J223J	CHIP R 22K J 1/16W	
R213			RK73GB1J223J	CHIP R 22K J 1/16W	
R220,221			RK73GB1J104J	CHIP R 100K J 1/16W	
R222-224			RK73GB1J222J	CHIP R 2.2K J 1/16W	
R230			RK73GB1J472J	CHIP R 4.7K J 1/16W	
R231			RK73GB1J473J	CHIP R 47K J 1/16W	
R233			RK73EB2B471J	CHIP R 470 J 1/8W	
R234			RK73EB2B102J	CHIP R 1.0K J 1/8W	
R235			RK73EB2B472J	CHIP R 4.7K J 1/8W	
R236			RK73EB2B471J	CHIP R 470 J 1/8W	
R237,238			RK73EB2B102J	CHIP R 1.0K J 1/8W	
R240			RK73EB2B102J	CHIP R 1.0K J 1/8W	
D1			S2V20*A	DIODE	
D2			1GWJ43	DIODE	
D3			MA4056(N)-M	ZENER DIODE	
D4			HZS9A2L	ZENER DIODE	
D4			MA4082(N)-L	ZENER DIODE	
D5			MA4110-L	ZENER DIODE	
D7			MA4056-M	ZENER DIODE	
D11,12			AM01Z	DIODE	
D11,12			DSM1SD2	DIODE	
D11,12			ERA15-02	DIODE	
D14			AM01Z	DIODE	
D14			DSM1SD2	DIODE	
D14			ERA15-02	DIODE	
D15			1SS133	DIODE	
D16			MA4056(N)-M	ZENER DIODE	
D17			MA4062(N)-M	ZENER DIODE	
D18			1SS133	DIODE	
D22-24			HZS6C1	ZENER DIODE	
D22-24			MA4062-L	ZENER DIODE	
D25,26			RD6.8M(B2)	ZENER DIODE	
D27,28			MA4068(N)-M	ZENER DIODE	
D29			HZS6C1	ZENER DIODE	
D29			MA4062-L	ZENER DIODE	
D30-32			1SS133	DIODE	
D33-36			AM01Z	DIODE	
D33-36			DSM1SD2	DIODE	
D33-36			ERA15-02	DIODE	
D38-41			AM01Z	DIODE	
D38-41			DSM1SD2	DIODE	
D38-41			ERA15-02	DIODE	
D61-64			1SS133	DIODE	
IC1			UPD703033GC053	MI-COM IC	
IC2			TDA7407D	ANALOGUE IC	
IC3			M5237ML	IC(VOLTAGE REGULATOR)	
IC4			TA8263BH	ANALOGUE IC	
IC8			HD74HC02FP	MOS-IC	
IC8			TC74HC02AF	IC	
IC15			LB1930M	ANALOGUE IC	
IC16			S-80837ANNP	MOS-IC	
Q1			2SB1548(P)	TRANSISTOR	
Q2			2SC4081	TRANSISTOR	

Ref.No.	A d d	N e w	Parts No.	Description	Dest inati on
Q2			2SD1819A	TRANSISTOR	M2 M2
Q3			2SA1576A	TRANSISTOR	
Q3			2SB1218A	TRANSISTOR	
Q4			2SB1548(P)	TRANSISTOR	
Q5			DTC144EUA	DIGITAL TRANSISTOR	
Q5			UN5213	DIGITAL TRANSISTOR	
Q6,7			DTA124EUA	DIGITAL TRANSISTOR	
Q6,7			KRA303	DIGITAL TRANSISTOR	
Q8			DTC144EUA	DIGITAL TRANSISTOR	
Q8			UN5213	DIGITAL TRANSISTOR	
Q9			2SD2375	TRANSISTOR	
Q10			2SB1184	TRANSISTOR	
Q11			2SC4081	TRANSISTOR	
Q11			2SD1819A	TRANSISTOR	
Q12			DTC144EUA	DIGITAL TRANSISTOR	
Q12			UN5213	DIGITAL TRANSISTOR	
Q13			DTA124EUA	DIGITAL TRANSISTOR	
Q13			KRA303	DIGITAL TRANSISTOR	
Q14			DTA123JK	DIGITAL TRANSISTOR	
Q14			KRA105S	DIGITAL TRANSISTOR	
Q15			DTC144EUA	DIGITAL TRANSISTOR	
Q15			UN5213	DIGITAL TRANSISTOR	
Q24			DTC114YUA	DIGITAL TRANSISTOR	
Q24			UN5214	DIGITAL TRANSISTOR	
Q25,26			2SB1277(Q,R)	TRANSISTOR	
Q27			2SA1576A	TRANSISTOR	
Q27			2SB1218A	TRANSISTOR	
Q28			DTA124EUA	DIGITAL TRANSISTOR	
Q28			KRA303	DIGITAL TRANSISTOR	
Q29			DTC114YUA	DIGITAL TRANSISTOR	
Q29			UN5214	DIGITAL TRANSISTOR	
Q30,31			2SC4081	TRANSISTOR	
Q30,31			2SD1819A	TRANSISTOR	
Q32,33			DTA124EUA	DIGITAL TRANSISTOR	
Q32,33			KRA303	DIGITAL TRANSISTOR	
Q35			DTC124EUA	DIGITAL TRANSISTOR	
Q35			UN5212	DIGITAL TRANSISTOR	
Q36			2SC4081	TRANSISTOR	
Q36			2SD1819A	TRANSISTOR	
Q37-40			DTC143TUA	DIGITAL TRANSISTOR	
Q37-40			KRC410	DIGITAL TRANSISTOR	
Q43			DTC124EUA	DIGITAL TRANSISTOR	
Q43			UN5212	DIGITAL TRANSISTOR	
Q44			2SB1277(Q,R)	TRANSISTOR	
Q45			DTC124EUA	DIGITAL TRANSISTOR	
Q45			UN5212	DIGITAL TRANSISTOR	
Q46			2SB1277(Q,R)	TRANSISTOR	
Q50			DTC144EUA	DIGITAL TRANSISTOR	
Q50			UN5213	DIGITAL TRANSISTOR	
Q51			2SA1576A	TRANSISTOR	
Q51			2SB1218A	TRANSISTOR	
TH1			PTH9C42BD471Q	POSITIVE RESISTOR	
F/E			X86-3240-11	TUNER UNIT	

K5: KDC-716S M2: KDC-8018

⚠ indicates safety critical components.

PARTS LIST

* New Parts

Parts without Parts No. are not supplied.

Les articles non mentionnes dans le Parts No. ne sont pas fournis.

Teile ohne Parts No. werden nicht geliefert.

CD PLAYER UNIT(X32-5030-00)

Ref.No.	A d d	N e w	Parts No.	Description	Dest inati on
CD PLAYER UNIT (X32-5030-00)					
C1,2			CK73FB1C105K	CHIP C 1.0UF K	
C3			CK73FB0J475K	CHIP C 4.7UF K	
C4			C92-0566-05	CHIP-TAN 10UF 6.3WV	
C5			CC73GCH1H150J	CHIP C 15PF J	
C6			CC73GCH1H020C	CHIP C 2.0PF C	
C7			CK73GB1C104K	CHIP C 0.10UF K	
C8			CK73FB1C105K	CHIP C 1.0UF K	
C10			CK73GB1H472K	CHIP C 4700PF K	
C11			CK73GB1H682K	CHIP C 6800PF K	
C12			CK73GB1H332K	CHIP C 3300PF K	
C13			CK73GB1C333K	CHIP C 0.033UF K	
C14			CK73GB1H472K	CHIP C 4700PF K	
C15			CK73GB1C473K	CHIP C 0.047UF K	
C16			CC73GCH1H151J	CHIP C 150PF J	
C17			CK73GB1H472K	CHIP C 4700PF K	
C18			CC73GCH1H221J	CHIP C 220PF J	
C19,20			CK73GB1C104K	CHIP C 0.10UF K	
C21			CK73FB0J475K	CHIP C 4.7UF K	
C23			CK73GB1H102K	CHIP C 1000PF K	
C24			CK73GB1E223K	CHIP C 0.022UF K	
C25			CK73GB1H153K	CHIP C 0.015UF K	
C26			CK73GB0J105K	CHIP C 1.0UF K	
C28			CK73GB0J105K	CHIP C 1.0UF K	
C29			CK73GB1C104K	CHIP C 0.10UF K	
C33-35			CK73GB1C104K	CHIP C 0.10UF K	
C41			CK73EB1C225K	CHIP C 2.2UF K	
C43			CK73GB1H153K	CHIP C 0.015UF K	
C45			CK73GB1H153K	CHIP C 0.015UF K	
C46			CK73GB1C473K	CHIP C 0.047UF K	
C51			CK73FB1C105K	CHIP C 1.0UF K	
C55			CK73GB1C104K	CHIP C 0.10UF K	
C63			C92-1359-05	CHIP-TAN 10UF 16WV	
C67,68			CK73GB0J105K	CHIP C 1.0UF K	
C71,72			CK73GB1H471K	CHIP C 470PF K	
C77,78			CC73GCH1H680J	CHIP C 68PF J	
C79,80			CK73GB1H222K	CHIP C 2200PF K	
C85			CK73GB1C104K	CHIP C 0.10UF K	
C89			CK73GB1H222K	CHIP C 2200PF K	
CN1			E40-9536-05	FLAT CABLE CONNECTOR	
CN2			E40-9339-05	FLAT CABLE CONNECTOR	
CN2			E41-0036-05	FLAT CABLE CONNECTOR	
CN2			E41-0129-05	FLAT CABLE CONNECTOR	
X1			L78-0572-05	RESONATOR (16.93MHZ)	
CP1-3			R90-1019-05	MULTI-COMP 100 X2	
R3			RK73GB1J272J	CHIP R 2.7K J 1/16W	
R5			RK73GB1J361J	CHIP R 360 J 1/16W	
R6			RK73GB1J272J	CHIP R 2.7K J 1/16W	
R8			RK73EB2B4R7J	CHIP R 4.7 J 1/8W	
R9			RK73EB2B100J	CHIP R 10 J 1/8W	
R10,11			RK73GB1J103J	CHIP R 10K J 1/16W	
R12			RK73GB1J912J	CHIP R 9.1K J 1/16W	
R15			RK73GB1J824J	CHIP R 820K J 1/16W	

Ref.No.	A d d	N e w	Parts No.	Description	Dest inati on
R16			RK73GB1J223J	CHIP R 22K J 1/16W	
R17			RK73GB1J513J	CHIP R 51K J 1/16W	
R18			RK73GB1J392J	CHIP R 3.9K J 1/16W	
R19			RK73GB1J513J	CHIP R 51K J 1/16W	
R20			RK73GB1J104J	CHIP R 100K J 1/16W	
R21			RK73GB1J304J	CHIP R 300K J 1/16W	
R32			RK73GB1J104J	CHIP R 100K J 1/16W	
R34			RK73GB1J683J	CHIP R 68K J 1/16W	
R36			RK73GB1J151J	CHIP R 150 J 1/16W	
R37			RK73GB1J471J	CHIP R 470 J 1/16W	
R38			RK73GB1J224J	CHIP R 220K J 1/16W	
R44			RK73GB1J512J	CHIP R 5.1K J 1/16W	
R45			RK73GB1J103J	CHIP R 10K J 1/16W	
R46			RK73GB1J102J	CHIP R 1.0K J 1/16W	
R47			RK73GB1J103J	CHIP R 10K J 1/16W	
R49			RK73GB1J472J	CHIP R 4.7K J 1/16W	
R52			RK73GB1J104J	CHIP R 100K J 1/16W	
R54			RK73GB1J104J	CHIP R 100K J 1/16W	
R71			RK73GB1J103J	CHIP R 10K J 1/16W	
R72			RK73GB1J102J	CHIP R 1.0K J 1/16W	
R73			RK73GB1J473J	CHIP R 47K J 1/16W	
R75			RK73GB1J333J	CHIP R 33K J 1/16W	
R76			RK73GB1J622J	CHIP R 6.2K J 1/16W	
R77			RK73GB1J563J	CHIP R 56K J 1/16W	
R78			RK73GB1J243J	CHIP R 24K J 1/16W	
R81			RK73GB1J333J	CHIP R 33K J 1/16W	
R82			RK73GB1J123J	CHIP R 12K J 1/16W	
R83			RK73GB1J102J	CHIP R 1.0K J 1/16W	
R101,102			RK73GB1J332J	CHIP R 3.3K J 1/16W	
R103,104			RK73GB1J562J	CHIP R 5.6K J 1/16W	
R107,108			RK73FB2A331J	CHIP R 330 J 1/10W	
R117,118			RK73FB2A203J	CHIP R 20K J 1/10W	
R121,122			RK73FB2A203J	CHIP R 20K J 1/10W	
R125,126			RK73FB2A203J	CHIP R 20K J 1/10W	
R202			RK73GB1J104J	CHIP R 100K J 1/16W	
R213			RK73GB1J104J	CHIP R 100K J 1/16W	
R218			RK73GB1J473J	CHIP R 47K J 1/16W	
R233			RK73GB1J622J	CHIP R 6.2K J 1/16W	
R234			RK73GB1J103J	CHIP R 10K J 1/16W	
W17			R92-2053-05	CHIP R 0 J 1/8W	
S1,2			S68-0838-05	PUSH SWITCH	
S3			S68-0859-05	PUSH SWITCH	
D1,2			DAN202U	DIODE	
D3			DA204U	DIODE	
D4			DAN202U	DIODE	
IC1			AN22000AA	ANALOGUE IC	
IC2			MN662773KF1	MOS-IC	
IC4			BA5917AFP	ANALOGUE IC	
IC5			TA78L05F	IC(VOLTAGE REGULATOR/ +5V)	
IC6			NJM4565MD	IC(OP AMP X2)	
Q1			MCH6101	TRANSISTOR	
Q2			DTC124EUA	DIGITAL TRANSISTOR	
Q3,4			2SA1362(Y)	TRANSISTOR	
Q5			DTC124EUA	DIGITAL TRANSISTOR	

KDC-716S/8018

PARTS LIST

* New Parts

Parts without Parts No. are not supplied.

Les articles non mentionnes dans le Parts No. ne sont pas fournis.

Teile ohne Parts No. werden nicht geliefert.

CD MECHANISM ASSY(X92-4100-00)

Ref.No.	A d d	N e w	Parts No.	Description	Dest inati on
CD MECHANISM ASSY (X92-4100-00)					
1	2A		A10-4482-01	CHASSIS	
2	1B		A10-4225-33	CHASSIS CALKING ASSY	
3	2B		A11-0915-43	SUB CHASSIS CALKING ASSY	
6	2A		D10-4306-04	ARM ASSY	
7	2A		D10-4305-04	ARM ASSY	
8	3A		D10-3087-44	ARM ASSY	
9	3B		D10-3092-03	SLIDER	
10	3B		D10-3093-04	SLIDER ASSY	
11	2B		D10-3095-04	SLIDER ASSY	
12	2B		D10-3096-04	SLIDER ASSY	
13	1A		D10-3099-24	SLIDER ASSY	
14	1A		D10-3100-04	SLIDER ASSY	
16	1B		D10-4004-04	LEVER ASSY	
17	1B		D10-4006-04	LEVER	
18	1A		D10-4007-04	LEVER	
19	2B		D10-4008-14	LEVER	
20	2A		D10-4009-23	ARM	
21	3A		D10-4010-04	LEVER	
22	3A		D10-4307-04	LEVER ASSY	
24	3B		D10-4050-04	ARM	
25	3A		D10-4038-23	ARM ASSY	
26	2A		D10-4123-24	LEVER ASSY	
27	3A		D13-1442-03	RACK (GEAR)	
29	3B		D13-1231-04	GEAR	
30	3A		D13-1240-04	GEAR	
31	3B		D13-1233-04	GEAR	
32	3B		D13-1234-14	GEAR ASSY	
33	3A		D13-1441-03	GEAR	
34	3B		D13-1232-04	GEAR	
35	3B		D13-1241-04	GEAR	
36	3A		D13-1242-04	GEAR	
37	1B		D13-1243-04	GEAR	
38	1B		D13-1244-04	GEAR	
39	1B		D13-1245-14	GEAR	
40	2A		D13-1246-04	GEAR	
41	2B		D13-1247-04	GEAR	
43	2B		D13-1249-04	GEAR ASSY	
44	2B		D13-1341-04	GEAR ASSY (LEAD SCREW)	
45	1B		D14-0668-04	ROLLER	
46	2A		D14-0670-04	ROLLER	
47	3B		D14-0674-04	ROLLER	
49	3A		D21-2228-14	SHAFT	
50	1A		D21-2229-04	SHAFT	
51	1A		D23-0925-24	RETAINER	
52	2A		D32-0614-04	STOPPER	
53	1B		D39-0223-05	DAMPER (YELLOW)	
54	2B		D39-0224-05	DAMPER (BLACK)	
55	3B		F09-1246-04	SHEET	
58	3B		F09-1266-14	SHEET	
60	2A		G01-2770-04	EXTENSION SPRING	
61	3A		G01-2771-04	EXTENSION SPRING	
62	3A		G01-2772-24	EXTENSION SPRING	

Ref.No.	A d d	N e w	Parts No.	Description	Dest inati on
63	3A		G01-2773-14	EXTENSION SPRING	
64	3A		G01-2774-34	EXTENSION SPRING	
65	1B		G01-2775-04	TORSION COIL SPRING	
66	1B		G01-2776-14	TORSION COIL SPRING	
67	3B		G01-2777-24	TORSION COIL SPRING	
69	2A		G01-2844-04	EXTENSION SPRING	
70	2A		G02-1231-04	FLAT SPRING	
71	2B		G02-1232-24	FLAT SPRING	
72	2A		G02-1241-24	FLAT SPRING	
75	2A		J11-0613-13	CLAMPER	
76	3A		J19-4678-13	HOLDER	
77	2B		J19-4679-24	HOLDER	
78	3B		J21-7684-13	MOUNTING HARDWARE	
79	2B		J21-7686-13	MOUNTING HARDWARE	
80	1B		J21-7690-03	MOUNTING HARDWARE	
82	3A		J84-0107-05	FLEXIBLE PRINTED WIRING BOARD	
83	1A		J90-0757-22	GUIDE	
A	2A		N09-4249-05	MACHINE SCREW (M1.7X2.5,LOCK)	
B	1B		N09-4172-05	TAPPING SCREW (2X3.5,CTITE)	
C	2B		N09-4202-05	STEPPED SCREW	
D	2A		N38-2020-46	PAN HEAD MACHIN SCREW	
E	3A		N09-4294-05	TAPTITE SCREW (BIND P TAPTIT)	
F	3B		N19-2023-04	FLAT WASHER	
G	2A		N19-2058-04	FLAT WASHER	
H	3A		N19-2093-04	FLAT WASHER	
J	2A		N39-2020-46	PAN HEAD MACHIN SCREW	
DM1	3B		T42-0764-04	DC MOTOR ASSY	
DM2	3B		T42-0763-04	DC MOTOR ASSY	
DPU1	2B		T25-0215-05	OPTICAL PICKUP HEAD	

K5: KDC-716S M2: KDC-8018

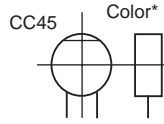
⚠ indicates safety critical components.

PARTS LIST

CAPACITORS

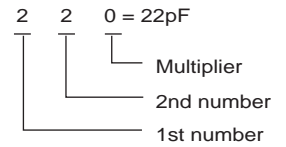
CC 45 TH 1H 220 J
 1 2 3 4 5 6

- 1 = Type ... ceramic, electrolytic, etc.
- 2 = Shape ... round, square, ect.
- 3 = Temp. coefficient
- 4 = Voltage rating
- 5 = Value
- 6 = Tolerance



Capacitor value

- 010 = 1pF
- 100 = 10pF
- 101 = 100pF
- 102 = 1000pF = 0.001μF
- 103 = 0.01μF



Temperature coefficient

1st Word	C	L	P	R	S	T	U
Color*	Black	Red	Orange	Yellow	Green	Blue	Violet
ppm/°C	0	-80	-150	-220	-330	-470	-750

2nd Word	G	H	J	K	L
ppm/°C	±30	±60	±120	±250	±500

Example : CC45TH = -470 ± 60ppm/°C

Tolerance (More than 10pF)

Code	C	D	G	J	K	M	X	Z	P	No code
(%)	±0.25	±0.5	±2	±5	±10	±20	+40 -40	+80 -20	+100 -0	More than 10μF -10 ~ +50 Less than 4.7μF -10 ~ +75

(Less than 10pF)

Gode	B	C	D	F	G
(pF)	±0.1	±0.25	±0.5	±1	±2

Voltage rating

2nd word	A	B	C	D	E	F	G	H	J	K	V
1st word	0	1	2	3	4	5	6	7	8	9	10

Chip capacitors

(EX) C C 7 3 F S L 1 H 0 0 0 J
 1 2 3 4 5 6 7

(Chip)(CH,RH<UJ,SL)

(EX) C K 7 3 F F 1 H 0 0 0 Z
 1 2 3 4 5 6 7

(Chip)(B,F)

Refer to the table above.

- 1 = Type
- 2 = Shape
- 3 = Dimension
- 4 = Temp. coefficient
- 5 = Voltage rating
- 6 = Value
- 7 = Tolerance

Dimension (Chip capacitors)

Dimension code	L	W	T
Empty	5.6 ± 0.5	5.0 ± 0.5	Less than 2.0
A	4.5 ± 0.5	3.2 ± 0.4	Less than 2.0
B	4.5 ± 0.5	2.0 ± 0.3	Less than 2.0
C	4.5 ± 0.5	1.25 ± 0.2	Less than 1.25
D	3.2 ± 0.4	2.5 ± 0.3	Less than 1.5
E	3.0 ± 0.2	1.6 ± 0.2	Less than 1.25
F	2.0 ± 0.3	1.25 ± 0.2	Less than 1.25
G	1.6 ± 0.2	0.8 ± 0.2	Less than 1.0
H	1.0 ± 0.05	0.5 ± 0.05	0.5 ± 0.05

RESISTORS

Chip resistor (Carbon)

(EX) R K 7 3 E B 2 B 0 0 0 J
 1 2 3 4 5 6 7

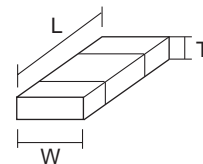
(Chip)(B,F)

Carbon resistor (Nomal type)

(EX) R D 1 4 B B 2 C 0 0 0 J
 1 2 3 4 5 6 7

- 1 = Type
- 2 = Shape
- 3 = Dimension
- 4 = Temp. coefficient
- 5 = Rating wattage
- 6 = Value
- 7 = Tolerance

Dimension



Dimension (Chip resistor)

Dimension code	L	W	T
E	3.2 ± 0.2	1.6 ± 0.2	1.0
F	2.0 ± 0.3	1.25 ± 0.2	1.0
G	1.6 ± 0.2	0.8 ± 0.2	0.5 ± 0.1
H	1.0 ± 0.05	0.5 ± 0.05	0.35 ± 0.05

Rating wattage

Code	Wattage	Code	Wattage	Code	Wattage
1J	1/16W	2C	1/16W	3A	1W
2A	1/10W	2E	1/4W	3D	2W
2B	1/8W	2H	1/2W		

KDC-716S/8018

SPECIFICATIONS

● KDC-716S

FM Section

Frequency Range	87.9MHz~107.9MHz
(Frequency Step)	(200kHz)
Channel Space Selection	50k/200kHz
Usable Sensitivity(S/N:30dB)	9.3dBf(0.8 μ V/75 Ω)
Quieting Sensitivity(S/N:50dB)	15.2dBf(1.6 μ V/75 Ω)
Frequency Response(\pm 3.0dB)	30Hz~15kHz
S/N	70dB(MONO)
Selectivity	\geq 80dB(\pm 400kHz)
Stereo Separation	40dB(1kHz)

AM Section

Frequency Range	530kHz~1700kHz
(Frequency Step)	(10kHz)
Channel Space Selection	9k/10kHz
Usable Sensitivity(S/N:20dB)	28dB μ (25 μ V)

CD Section

Laser Diode	GaAlAs(λ =780nm)
Digital Filter(D/A)	8 Times Over Sampling
D/A Converter	1Bit
Spindle Speed	500~200(CLV)
Wow & Flutter	Below Measurable Limit
Frequency Response	10~20kHz(\pm 1dB)
Total Harmonic Distortion	0.01%(1kHz)
S/N Ratio	105dB(1kHz)
Dynamic Range	93dB
Channel Separation	85dB

AMPLIFIER Section

Preout Level/Load	1800mV/10k Ω (CD/CD-CH)
Preout Impedance	\leq 600 Ω
Maximum Power	47W \times 4
Full Bandwidth Power	22W \times 4
(at less than 1%THD)	

TONE Section

Bass	100Hz \pm 10dB
Middle	1kHz \pm 10dB
Treble	10kHz \pm 10dB

General

Operating Voltage	14.4V
(11V~16V allowable)	
Current Consumption	10A
Installation Size (W)	182mm(7-3/16in)
(H)	53mm(2-1/16in)
(D)	162mm(6-3/8in)
Weight	1.9kg(4.2lbs)

● KDC-8018

FM Section

Frequency Range	87.5MHz~108.0MHz
(Frequency Step)	(50kHz)
Channel Space Selection	50k/200kHz
Usable Sensitivity(S/N:30dB)	9.3dBf(0.8 μ V/75 Ω)
Quieting Sensitivity(S/N:50dB)	15.2dBf(1.6 μ V/75 Ω)
Frequency Response(\pm 3.0dB)	30Hz~15kHz
S/N	70dB(MONO)
Selectivity	\geq 80dB(\pm 400kHz)
Stereo Separation	40dB(1kHz)

AM Section

Frequency Range	531kHz~1611kHz
(Frequency Step)	(9kHz)
Channel Space Selection	9k/10kHz
Usable Sensitivity(S/N:20dB)	28dB μ (25 μ V)

CD Section

Laser Diode	GaAlAs(λ =780nm)
Digital Filter(D/A)	8 Times Over Sampling
D/A Converter	1Bit
Spindle Speed	500~200(CLV)
Wow & Flutter	Below Measurable Limit
Frequency Response	10~20kHz(\pm 1dB)
Total Harmonic Distortion	0.01%(1kHz)
S/N Ratio	105dB(1kHz)
Dynamic Range	93dB
Channel Separation	85dB

AMPLIFIER Section

Preout Level/Load	1800mV/10k Ω (CD/CD-CH)
Preout Impedance	\leq 600 Ω
Maximum Power	47W \times 4
Full Bandwidth Power	22W \times 4
(at less than 1%THD)	

TONE Section

Bass	100Hz \pm 10dB
Middle	1kHz \pm 10dB
Treble	10kHz \pm 10dB

General

Operating Voltage	14.4V
(11V~16V allowable)	
Current Consumption	10A
Installation Size (W)	182mm(7-3/16in)
(H)	53mm(2-1/16in)
(D)	162mm(6-3/8in)
Weight	1.9kg(4.2lbs)